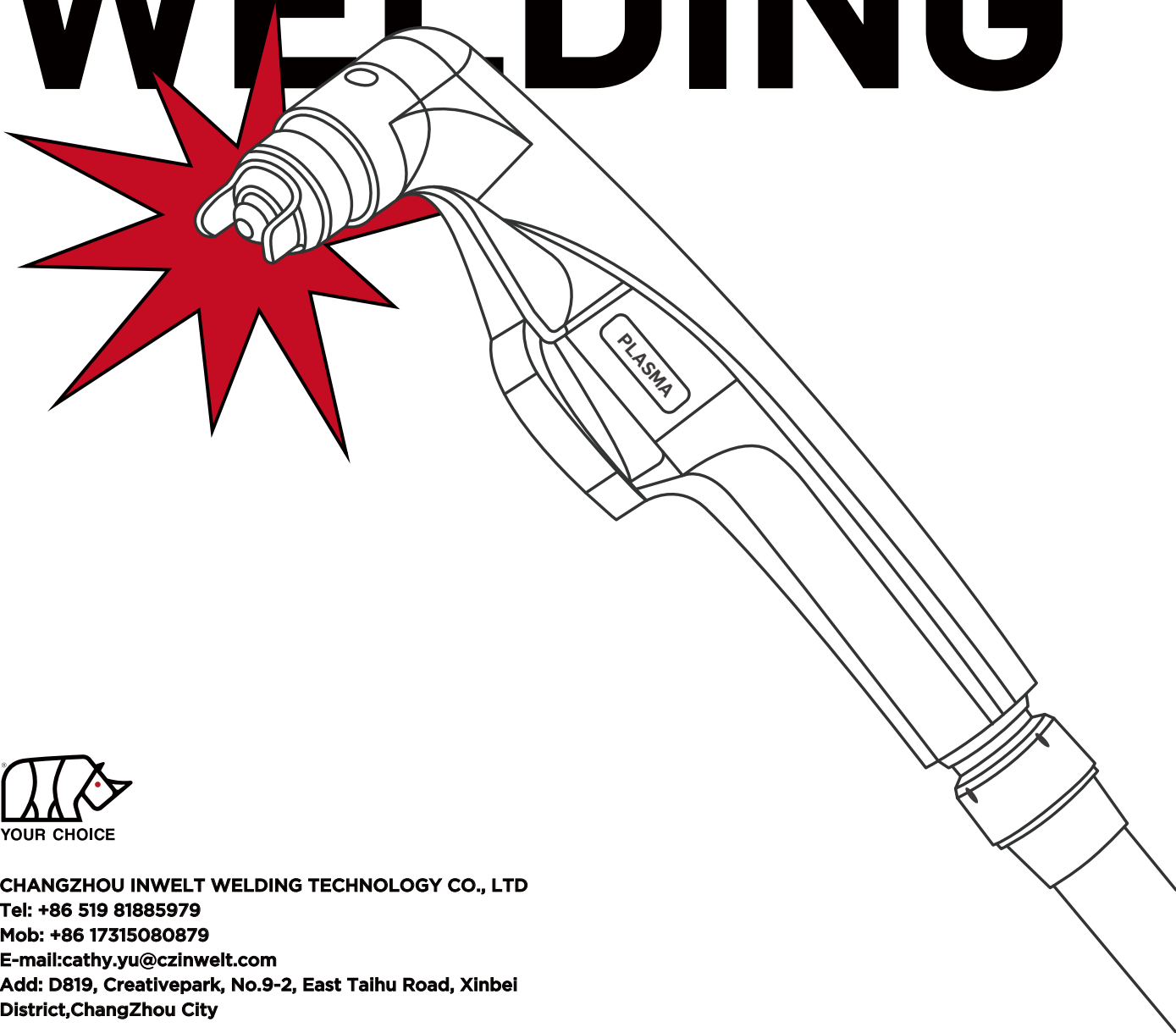


YOUR CHOICE

PLASMA

INWELT WELDING



YOUR CHOICE

CHANGZHOU INWELT WELDING TECHNOLOGY CO., LTD

Tel: +86 519 81885979

Mob: +86 17315080879

E-mail: cathy.yu@czinwelt.com

**Add: D819, Creativepark, No.9-2, East Taihu Road, Xinbei
District, ChangZhou City**



COMPANY INTRODUCTION

公司简介

Inwelt is a customer oriented service platform focusing on welding torches, welding accessories and personal protective equipments. Our goal is to provide comprehensive professional service to our worldwide business partners. Inwelt team working tirelessly to implement industry leading quality control procedures, so our customers can enjoy user friendly ordering service with peace of mind knowing top rated QA team working for them here.

YOUR PROFESSIONAL WELDING SUPPLIER



COMPANY PHILOSOPHY

公司理念

CHANGZHOU INWELT WELDING TECHNOLOGY CO., LTD

MISSION



Provide high quality Welding products , highly adaptive operations flow !

为全球客户提供高品质的焊接产品，更自由的采购模式！

VISION



To be a world class Supplier of welding products.
A workplace with high employee satisfaction!

成为世界一流的焊接服务商，做一个高幸福指数的企业！

VALUES



Team Work, Embrace Change,
Passion for Life!

团队合作，拥抱变化，认真生活！

YOUR CHOICE



CONTENT

高频系列 WITH HIGH FREQUENCY

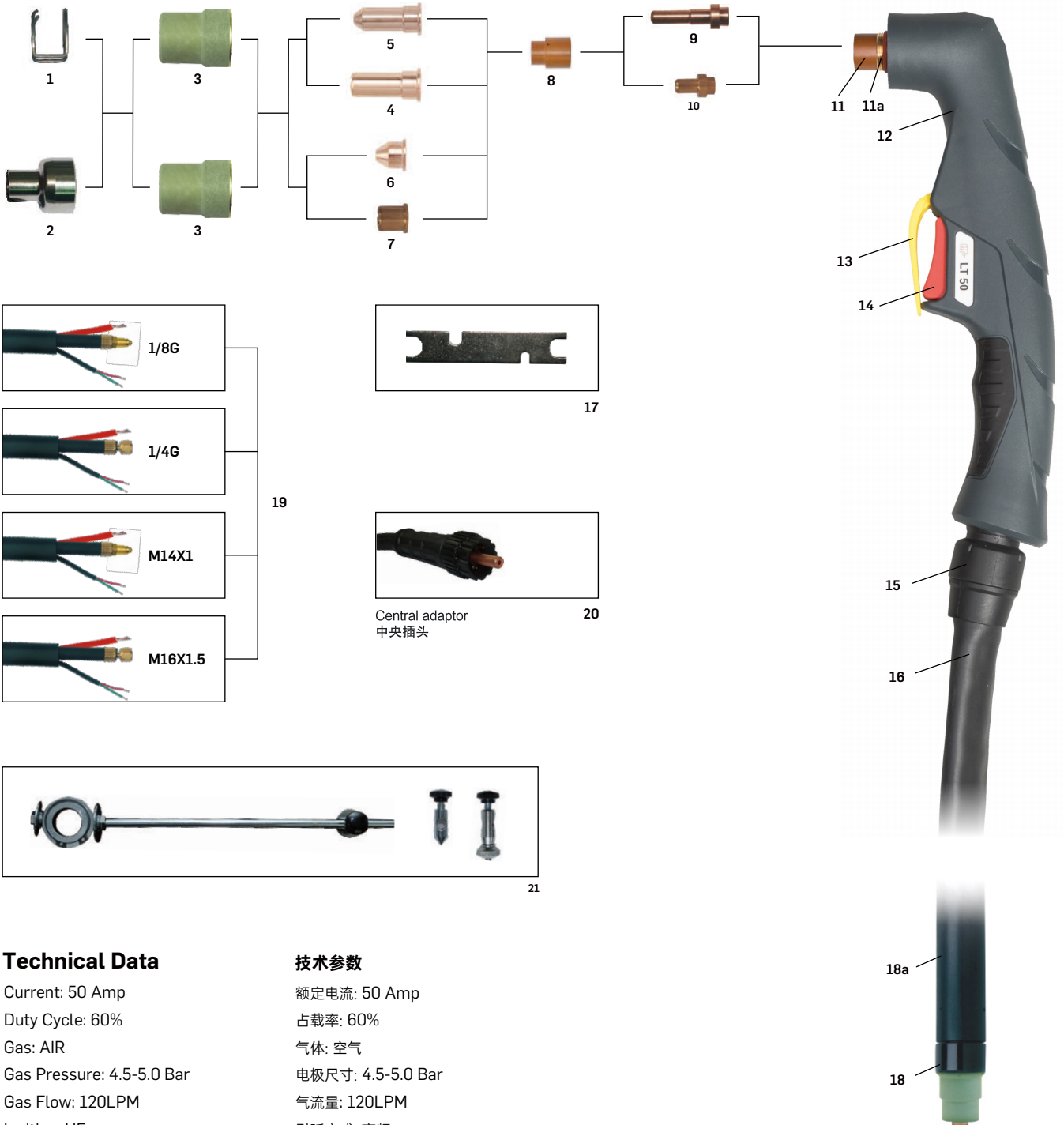
TORCHES SUITABLE FOR CEBORA®P
TRAFIMET®A PRODUCTS

| | |
|-----------------------|----|
| LT50/LTM50-CB | 01 |
| LT70/LTM70-CB | 03 |
| LT81/LTM81-A | 05 |
| LT100/LTM100-CB | 07 |
| LT101/LTM101-A | 09 |
| LT141/LTM141-A | 11 |
| LT150/LTM150-CB | 13 |
| LT151/LTM151-A | 15 |
| 日式P80 | 17 |
| PT-31 | 19 |
| SG-51 | 21 |
| SG-55 | 23 |
| AG-60 | 25 |

非高频系列 WITHOUT HIGH FREQUENCY

IPT20-40 TORCHES SUITABLE FOR TRAFIMET®S
PRODUCTS

| | |
|------------------------------|----|
| IPT20C | 27 |
| IPT40 | 29 |
| IPT60 | 31 |
| IPX62 | 33 |
| IPT80 | 35 |
| IPX82 | 37 |
| IPT100 | 39 |
| IPX102 | 41 |
| IPTM80 | 43 |
| IPXM82 | 45 |
| IPTM100 | 47 |
| IPXM102 | 49 |
| SPARE PARTS 配件 | 51 |
| SAF SPARE PARTS SAF 配件 | 53 |



自动枪
MACHINE TORCH

Technical Data

Current: 50 Amp
 Duty Cycle: 60%
 Gas: AIR
 Gas Pressure: 4.5-5.0 Bar
 Gas Flow: 120LPM
 Ignition: HF
 Post Flow: 50 sec. recommended
 Standard Length: 6M

技术参数

额定电流: 50 Amp
 占载率: 60%
 气体: 空气
 电极尺寸: 4.5-5.0 Bar
 气流量: 120LPM
 引弧方式: 高频
 气体延时: 推荐50秒
 标准长度: 6M

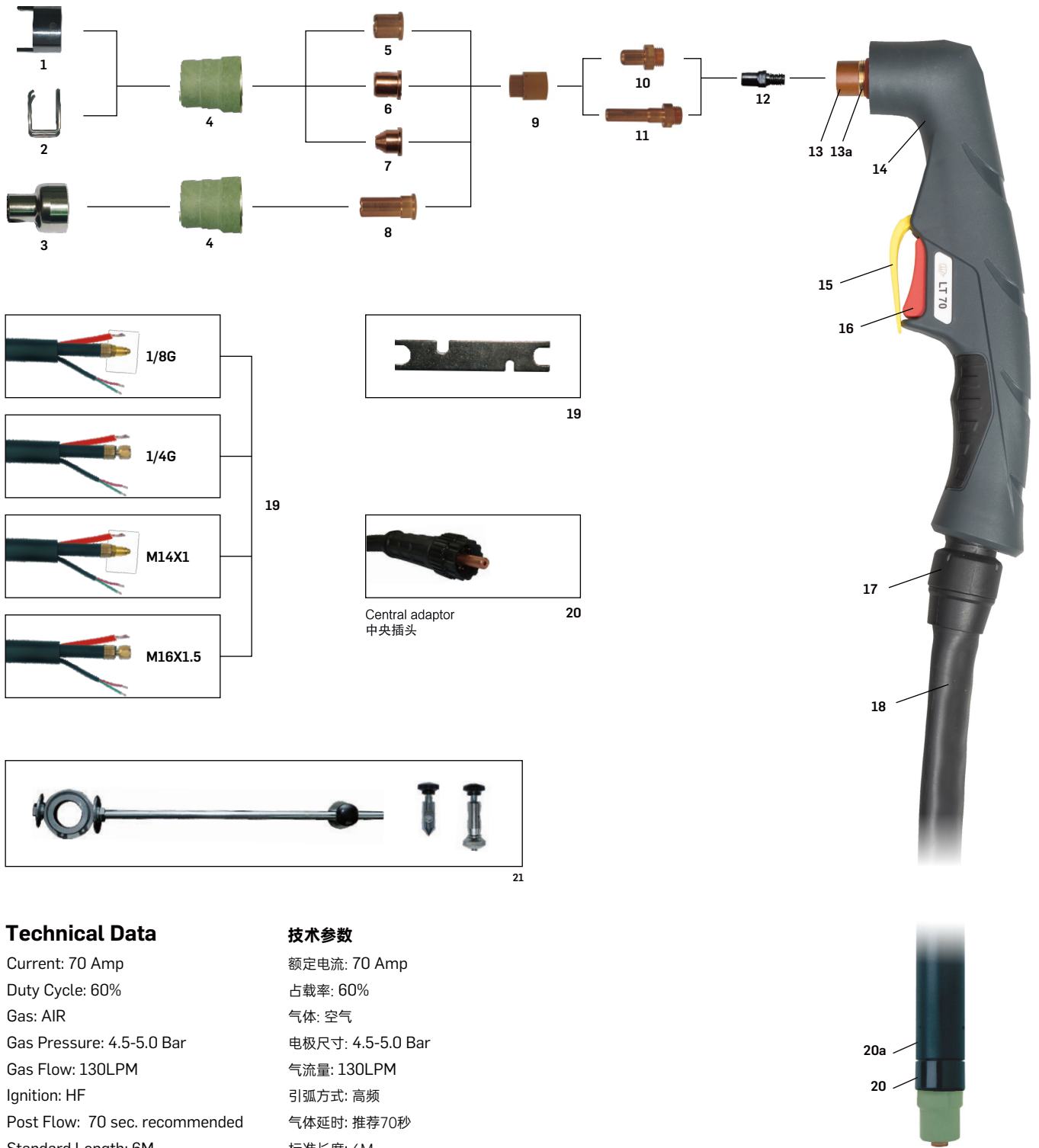
HAND TORCH

| Code | Ref. | Description |
|-----------|------|--|
| IJWU 6811 | 1526 | Plasma cutting torch LT50/6m 1/8G;等离子切割枪/LT50/6m 1/8G |
| IJWU6816 | | Plasma cutting torch LT50/6m 1/4G;等离子切割枪/LT50/6m 1/4G |
| IJWU6817 | | Plasma cutting torch LT50/6m M14×1;等离子切割枪/LT50/6m/M14×1 |
| IJWU6810 | | Plasma cutting torch LT50/6m M16×1.5;等离子切割枪/LT50/6m/M16×1.5 |
| IJWU6818 | 1574 | Plasma cutting torch LT50/6m central adaptor;等离子切割枪/LT50/6m/中央插头 |

MACHINE TORCH

| Code | Ref. | Description |
|-----------|------|---|
| IJWU6741 | | Plasma cutting auto torch LTM50/6m 1/8G;等离子自动切割枪/LTM50/6m 1/8G |
| IJWU 6733 | | Plasma cutting auto torch LTM50/6m 1/4G;等离子自动切割枪/LTM50/6m 1/4G |
| IJWU 6734 | | Plasma cutting auto torch LTM50/6m M14×1;等离子自动切割枪/LTM50/6m/M14×1 |
| IJWU 6735 | | Plasma cutting auto torch LTM50/6m M16×1.5;等离子自动切割枪/LTM50/6m/M16×1.5 |
| IJWU 6747 | | Plasma cutting auto torch LTM50/6m central adaptor;等离子自动切割枪/LTM50/6m/中央插头 |

| Position | Code | Ref. | Description |
|----------|-----------------|-----------|---|
| 1 | IJTN0614 | | Spacer spring/LT50;隔离簧/LT50 |
| 2 | IJTN0017 | | Shield cap for extended tip/LT50;长接触切割保护帽/LT50 |
| 3 | | | Outside nozzle;外喷嘴 |
| 3.1 | IJWV0019-03 | 5.710.121 | Outside nozzle LT50;外喷嘴 LT50 |
| 3.2 | IJWV0019-01 | | Outside nozzle/maximum life LT50;外喷嘴/长寿命 LT50 |
| 4 | IJWV0070-10 | 1306 | Extended conical tip Φ 1.0mm/LT50;加长锥形喷嘴 Φ 1.0mm/LT50 5 |
| 5 | | | Extended tip;加长喷嘴 |
| 5.1 | IJWV0020-10 | 1370 | Extended tip Φ 1.0mm/LT50;加长喷嘴 Φ 1.0mm/LT50 |
| 5.2 | IJWV0029-10 | 1395 | Extended tip Φ 1.0mm/LT50-70;加长喷嘴 Φ 1.0mm/LT50-70 |
| 5.3 | IJWV0029-11 | | Extended tip Φ 1.1mm/LT50-70;加长喷嘴 Φ 1.1mm/LT50-70 |
| 6 | IJWV0075-10 | 1305 | Conical tip Φ 1.0mm/LT50-70;锥形喷嘴 Φ 1.0mm/LT50-70 |
| 7 | | | Tip;喷嘴 |
| 7.1 | IJWV0044-10 | 1396 | Tip Φ 1.0mm/LT50-70;喷嘴 Φ 1.0mm/LT50-70 |
| 7.2 | IJWV0044-11 | | Tip Φ 1.1mm/LT50-70;喷嘴 Φ 1.1mm/LT50-70 |
| 7.3 | IJWV0044-12 | | Tip Φ 1.2mm/LT50-70;喷嘴 Φ 1.2mm/LT50-70 |
| 7.4 | IJWV0076-10 | 1304 | Tip Φ 1.0mm/LT50-70;喷嘴 Φ 1.0mm/LT50-70 |
| 8 | IJWG0013 | | Diffuser LT50-70;分流器 LT50-70 |
| 9 | IJWC0026 | 1518-HF | Extended electrode HF Plasma LT50;加长等离子电极/HF/LT50 |
| 10 | IJWC0073 | 1521-HF | Electrode HF Plasma LT50;等离子电极/HF/LT50 |
| 11 | IJWA0061 | | Plasma torch head LT50;等离子枪头 LT50 |
| 11a | IJGU0718 | | "O"ring Φ 12.42×1.78mm in silicon red; O型圈 Φ 12.42×1.78mm/硅胶/红色 |
| 12 | IJHW0040 | | Plasma handle manual/CB50-70/Red;等离子手工手柄/CB50-70/红色 |
| 13 | IJK0733 | | Protection part/Plasma/Yellow;开关保护档片/等离子用/黄色 |
| 14 | IJIR0081 | 185.0031 | Trigger;开关 |
| 15 | IJK0804 | | Joint/small/new type;球节套件/小/新式 |
| 16 | | | Cable assembly;电缆组 |
| 16.1 | IJW000006077-00 | | Cable assembly/LT50-70/6MMQ/6M ATT.1/8G;电缆组/LT50-70/6MMQ/6M ATT.1/8G |
| 16.2 | IJW000006071-00 | | Cable assembly/LT50-70/6MMQ/6M Center Adaptor;电缆组/LT50-70/6MMQ/6M中央插头 |
| 16.3 | IJW010006071-00 | | Cable assembly/LTM50-70/6MMQ/6M Center Adaptor;电缆组/LTM50-70/6MMQ/6M中央插头 |
| 16.4 | IJW010006077-00 | | Cable assembly/LTM50-70/6MMQ/6M ATT.1/8G;电缆组/LTM50-70/6MMQ/6M ATT.1/8G |
| 16.5 | IJW00639 | | Cable assembly/LT50-70/6m central adaptor;电缆组 LT50-70/6m/中央插头 |
| 17 | IJDH6017 | | Spanner for Plasma;等离子枪扳手 |
| 18 | IJWA0096 | | Plasma torch head LTM50;等离子枪头 LTM50 |
| 18a | IJHW0024 | W0 300144 | Fiber glass position tube/LTM;自动枪手柄 LTM |
| 19 | | | Cable assembly LTM;电缆组 LTM |
| 19.1 | IJAU5698 | | Connecting adaptor 1/8G-1/4G;转换接头1/8G-1/4G |
| 19.2 | IJAU5699 | | Connecting adaptor 1/8G-M14×1;转换接头1/8G-M14×1 |
| 19.3 | IJAU5690 | | Connecting adaptor 1/8G-M16×1.5;转换接头1/8G-M16×1.5 |
| 20 | IJAY0089 | | Central adaptor torch side Plasma 5 pins;等离子中央插头/5针 |
| 21 | IJTN0092 | 166 | Circle cutting attachment/LT50;圆周切割附件 LT50 |



Technical Data

Current: 70 Amp
 Duty Cycle: 60%
 Gas: AIR
 Gas Pressure: 4.5-5.0 Bar
 Gas Flow: 130LPM
 Ignition: HF
 Post Flow: 70 sec. recommended
 Standard Length: 6M

技术参数

额定电流: 70 Amp
 占载率: 60%
 气体: 空气
 电极尺寸: 4.5-5.0 Bar
 气流量: 130LPM
 引弧方式: 高频
 气体延时: 推荐70秒
 标准长度: 6M

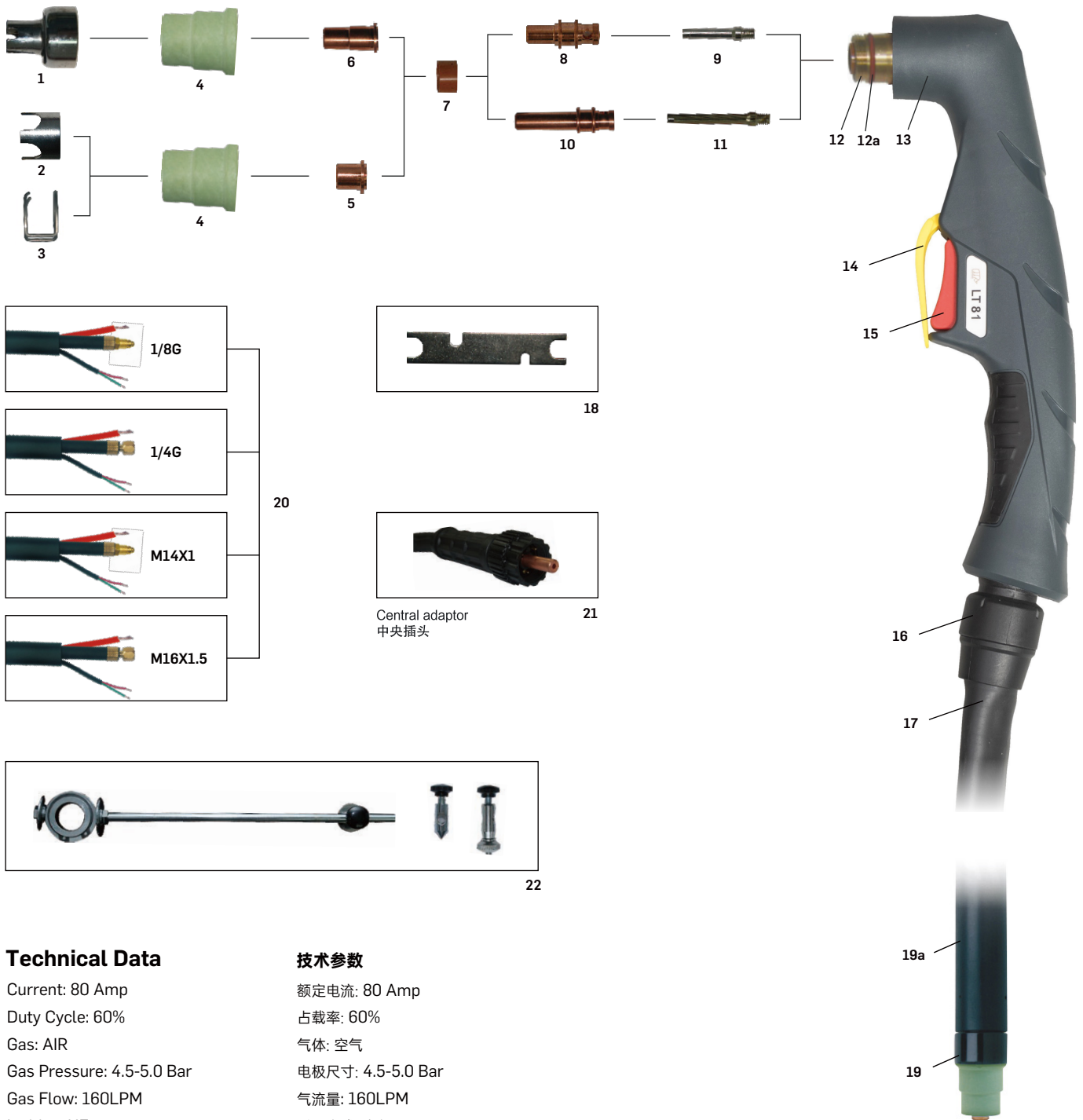
HAND TORCH

| Code | Ref. | Description |
|----------|------|--|
| IJWU6881 | 1564 | Plasma cutting torch LT70/6m 1/8G;等离子切割枪/LT70/6m 1/8G |
| IJWU6887 | | Plasma cutting torch LT70/6m M14x1;等离子切割枪/LT70/6m/M14x1 |
| IJWU6880 | | Plasma cutting torch LT70/6m M14x1;等离子切割枪/LT70/6m/M14x1 |
| IJWU6886 | | Plasma cutting torch LT70/6m M16x1.5;等离子切割枪/LT70/6m/M16x1.5 |
| IJWU6888 | 1573 | Plasma cutting torch LT70/6m central adaptor;等离子切割枪/LT70/6m/中央插头 |

MACHINE TORCH

| Code | Ref. | Description |
|----------|------|---|
| IJWU6751 | 1563 | Plasma cutting auto torch LTM70/6m 1/8G;等离子自动切割枪/LTM70/6m 1/8G |
| IJWU6753 | | Plasma cutting auto torch LTM70/6m 1/4G;等离子自动切割枪/LTM70/6m 1/4G |
| IJWU6754 | | Plasma cutting auto torch LTM70/6m M14x1;等离子自动切割枪/LTM70/6m/M14x1 |
| IJWU6755 | | Plasma cutting auto torch LTM70/6m M16x1.5;等离子自动切割枪/LTM70/6m/M16x1.5 |
| IJWU6757 | 1566 | Plasma cutting auto torch LTM70/6m central adaptor;等离子自动切割枪/LTM70/6m/中央插头 |

| Position | Code | Ref. | Description |
|----------|-----------------|-----------|--|
| 1 | IJTN6673 | 1405 | Double pointed spacer/LT70;两点支架LT70 |
| 2 | IJTN0071 | 1394 | Spacer spring/LT70;隔离环LT70 |
| 3 | IJTN0018 | | Shield cap for Extended tip/LT70;长接触切割保护帽LT70 |
| 4 | | | Outside nozzle;外喷嘴 |
| 4.1 | IJWT0098-03 | 5.710.171 | Outside nozzle LT70;外喷嘴LT70 |
| 4.2 | JWT0098-01 | | Outside nozzle/maximum life LT70;外喷嘴/长寿命LT70 |
| 5 | | | Tip;喷嘴 |
| 5.1 | IJWV0076-09 | 1309 | Tip ϕ 0.9mm LT50-70;喷嘴 ϕ 0.9mm/LT50-70 |
| 5.2 | IJWV0044-10 | 1396 | Tip ϕ 1.0mm LT50-70;喷嘴 ϕ 1.0mm/LT50-70 |
| 5.3 | IJWV0044-11 | | Tip ϕ 1.1mm LT50-70;喷嘴 ϕ 1.1mm/LT50-70 |
| 5.4 | IJWV0044-12 | 1395/L | Tip ϕ 1.2mm LT50-70;喷嘴 ϕ 1.2mm/LT50-70 |
| 6 | | | Tip;喷嘴 |
| 6.1 | IJWV0039-10 | 1305 | Flat tip ϕ 1.0mm;扁平喷嘴 ϕ 1.0mm/LT50-70 |
| 6.2 | IJWV0039-12 | | Flat tip ϕ 1.2mm;扁平喷嘴 ϕ 1.2mm/LT50-70 |
| 7 | | | Tip;喷嘴 |
| 7.1 | IJWV0075-10 | | Conical tip ϕ 1.0mm/LT50-70;锥形喷嘴 ϕ 1.0mm/LT50-70 |
| 7.2 | IJWV0075-12 | | Conical tip ϕ 1.2mm/LT50-70;锥形喷嘴 ϕ 1.2mm/LT50-70 |
| 8 | | | Tip;喷嘴 |
| 8.1 | IJWV0046-98 | 1366 | Extended tip ϕ 0.98mm/LT50-70;加长喷嘴 ϕ 0.98mm/LT50-70 |
| 8.2 | IJWV0029-10 | 1395 | Extended tip ϕ 1.0mm/LT50-70;加长喷嘴 ϕ 1.0mm/LT50-70 |
| 8.3 | IJWV0029-11 | | Extended tip ϕ 1.1mm/LT50-70;加长喷嘴 ϕ 1.1mm/LT50-70 |
| 8.4 | IJWV0029-12 | | Extended tip ϕ 1.2mm/LT50-70;加长喷嘴 ϕ 1.2mm/LT50-70 |
| 9 | IJWG0013 | | Diffuser LT50-70;分流器LT50-70 |
| 10 | IJWC0029 | 1402 | Electrode HF Plasma LT70;等离子电极LT70 |
| 11 | IJWC0020 | 1368 | Extended electrode HF Plasma LT70;加长等离子电极LT70 |
| 12 | IJA00777 | 3.065.204 | Airtube/LT70;导流管LT70 |
| 13 | IJWA0026 | 1071 | Plasma torch head LT70;等离子枪头LT70 |
| 13a | IJGU0718 | | "O"ring ϕ 12.42x1.78mm in silicon red;O型圈 ϕ 12.42x1.78mm/硅胶/红色 |
| 14 | IJHW0040 | | Plasma hand lemanual/CB50-70/Red;等离子手工手柄/CB50-70/红色 |
| 15 | IJK0733 | | Protection part/Plasma/Yellow;开关保护档片/等离子用/黄色 |
| 16 | IJR0081 | 185.0031 | Trigger;开关 |
| 17 | IJK0804 | | Joint/small/new type;球节套件/小/新式 |
| 18 | | | Cable assembly;电缆组 |
| 18.1 | IJWO00006077-00 | | Cable assembly/LT50-70/6MMQ/6M ATT.1/8G;电缆组/LT50-70/6MMQ/6MATT.1/8G |
| 18.2 | IJWO00006071-00 | | Cable assembly/LT50-70/6MMQ/6M center adaptor;电缆组/LT50-70/6MMQ/6M中央插头 |
| 18.3 | IJWO10006071-00 | | Cable assembly/LTM50-70/6MMQ/6M central adaptor;电缆组/LTM50-70/6MMQ/6M中央插头 |
| 18.4 | IJWO10006077-00 | | Cable assembly/LTM50-70/6MMQ/6M ATT.1/8G;电缆组/LTM50-70/6MMQ/6MATT.1/8G |
| 18.5 | IJWO0639 | | Cable assembly/LT50-70/6m central adaptor;电缆组/LT50-70/6m中央插头 |
| 19 | IJDH6017 | 60368 | Spanner for Plasma;等离子枪扳手 |
| 20 | IJWA0084 | 1349 | Plasma torch head LTM70;等离子枪头LTM70 |
| 20a | IJHW0024 | | Fiber glass position tube/LTM;自动枪手柄LTM |
| 21 | | | Cableassembly LTM;电缆组LTM |
| 21.1 | IJAU5698 | | Connecting adaptor 1/8G-1/4G;转换接头1/8G-1/4G |
| 21.2 | IJAU5699 | | Connecting adaptor 1/8G-M14x1;转换接头1/8G-M14x1 |
| 21.3 | IJAU5690 | | Connecting adaptor 1/8G-M16x1.5;转换接头1/8G-M16x1.5 |
| 22 | IJAY0089 | | Centraladaptor torch side Plasma 5pins;等离子中央插头/5针 |
| 23 | IJTN0030 | | Circle cutting attachment/LT70;圆周切割附件LT70 |



自动枪
MACHINE TORCH

Technical Data

Current: 80 Amp
 Duty Cycle: 60%
 Gas: AIR
 Gas Pressure: 4.5-5.0 Bar
 Gas Flow: 160LPM
 Ignition: HF
 Post Flow: 80 sec. recommended
 Standard Length: 6M

技术参数

额定电流: 80 Amp
 占载率: 60%
 气体: 空气
 电极尺寸: 4.5-5.0 Bar
 气流量: 160LPM
 引弧方式: 高频
 气体延时: 推荐80秒
 标准长度: 6M

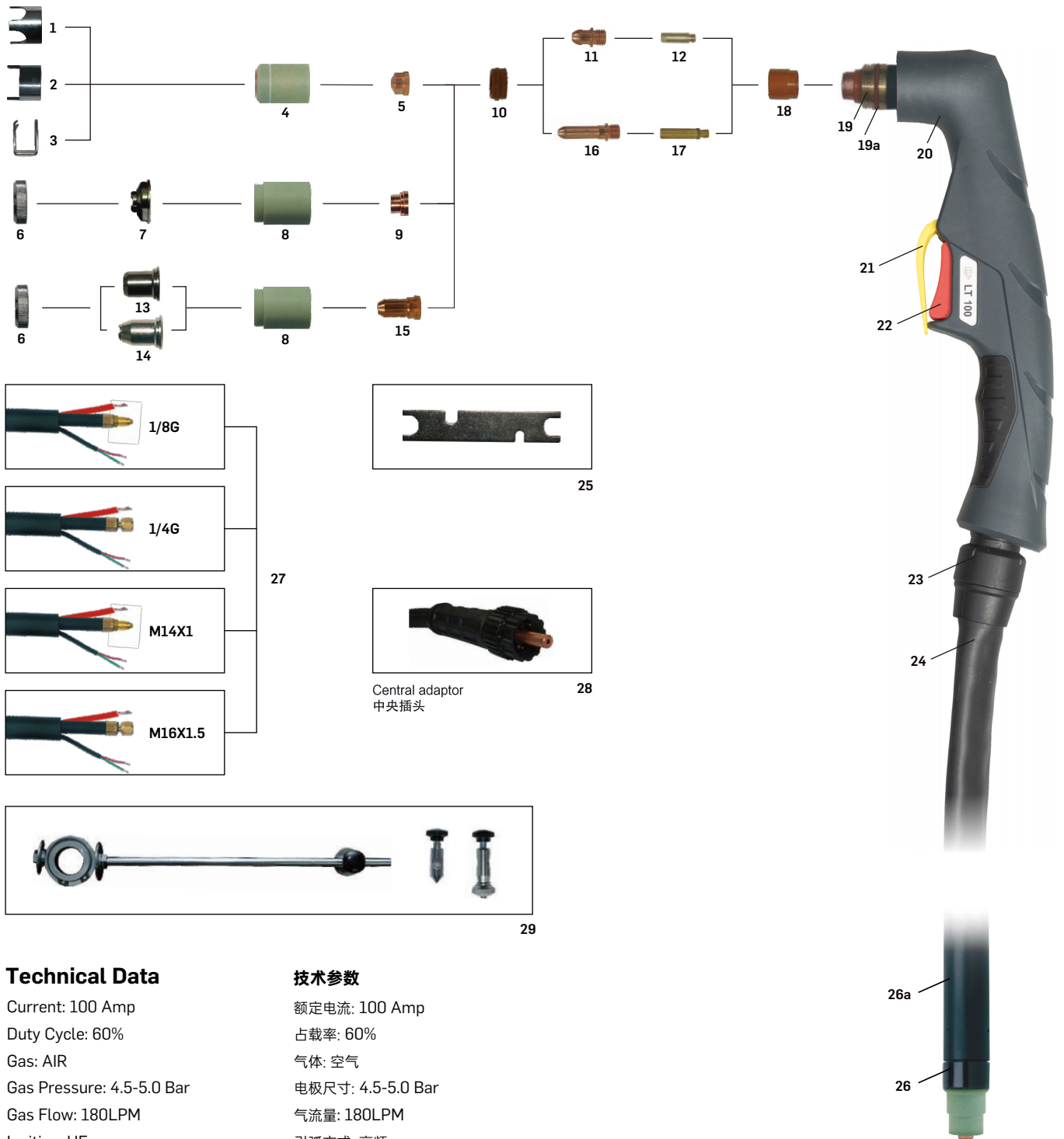
HAND TORCH

| Code | Ref. | Description |
|----------|--------|--|
| IJWU6911 | PA1400 | Plasma cutting torch LT81/6m 3/8G;等离子切割枪/LT81/6m 3/8G |
| IJWU6912 | | Plasma cutting torch LT81/6m M14×1;等离子切割枪/LT81/6m/M14×1 |
| IJWU6916 | | Plasma cutting torch LT81/6m M16×1.5;等离子切割枪/LT81/6m/M16×1.5 |
| IJWU6918 | PA1402 | Plasma cutting torch LT81/6m central adaptor;等离子切割枪/LT81/6m/中央插头 |
| IJWU6910 | PA1404 | Plasma cutting torch LT81/6m 1/4G;等离子切割枪/LT81/6m/1/4G |

MACHINE TORCH

| Code | Ref. | Description |
|----------|------|---|
| IJWU0641 | | Plasma cutting auto torch LTM81/6m 3/8G;等离子自动切割枪/LTM81/6m 3/8G |
| IJWU0647 | | Plasma cutting auto torch LTM81/6m central adaptor;等离子自动切割枪/LTM81/6m/中央插头 |
| IJWU0717 | | Plasma cutting auto torch LTM81/6m 1/4G;等离子自动切割枪/LTM81/6m/1/4G |
| IJWU0718 | | Plasma cutting auto torch LTM81/6mM16×1.5;等离子自动切割枪/LTM81/6m/M16×1.5 |
| IJWU0719 | | Plasma cutting auto torch LTM81/6mM14×1;等离子自动切割枪/LTM81/6m/M14×1 |

| Position | Code | Ref. | Description |
|----------|-----------------|-----------|---|
| 1 | IJTN0717 | CV0201 | Spacer for contact cutting/LT81;隔离支架/接触切割LT81 |
| 2 | IJTN0099 | CV0033 | Four point edspacer/LT81;四点支架LT81 |
| 3 | IJTN0084 | CV0028 | Spacer spring LT81;隔离环LT81 |
| 4 | | | Outside nozzle;外喷嘴 |
| 4.1 | IJWT0676-03 | PC0115 | Outside nozzle LT81;外喷嘴LT81 |
| 4.2 | IJWT0676-01 | | Outside nozzle/maximum life LT81;外喷嘴/长寿命LT81 |
| 5 | | | Tip;喷嘴 |
| 5.1 | IJWV0616-10 | PD0105-10 | Tip Φ 1.0mm LT81;喷嘴 Φ 1.0mm/LT81 |
| 5.2 | IJWV0616-11 | PD0105-11 | Tip Φ 1.1mm LT81;喷嘴 Φ 1.1mm/LT81 |
| 5.3 | IJWV0616-12 | PD0105-12 | Tip Φ 1.2mm LT81;喷嘴 Φ 1.2mm/LT81 |
| 6 | | | Tip;喷嘴 |
| 6.1 | IJWV0612-10 | PD0106-10 | Extended tip Φ 1.0mmLT81;加长喷嘴 Φ 1.0mm/LT81 |
| 6.2 | IJWV0612-12 | PD0106-12 | Extended tip Φ 1.2mmLT81;加长喷嘴 Φ 1.2mm/LT81 |
| 7 | IJWG0613 | PE0107 | Diffuser LT81;分流器LT81 |
| 8 | IJWC0615 | PR0109 | Electrode Plasma LT81;等离子电极LT81 |
| 9 | IJWC0676 | PR0115 | Airtube/LT81;导流管LT81 |
| 10 | IJA00521 | FH0560 | Extended electrode PlasmaLT81;加长等离子电极LT81 |
| 11 | IJA00527 | FH0561 | Extended airtube/LT81;加长导流管LT81 |
| 12 | IJWA0601 | | Plasma torch head LT81;等离子枪头LT81 |
| 12a | IJGU0686 | EA0125 | "O"ring Φ 15.6x1.78mm in silicon;O型圈 Φ 15.6x1.78mm/硅胶 |
| 13 | IJHW0046 | | Plasma hand lemanual/ASeries/Red;等离子手工手柄/A系列/红色 |
| 14 | IJK0733 | | Protection part/Plasma/Yellow;开关保护档片/等离子用/黄色 |
| 15 | IJIR0081 | 185.0031 | Trigger;开关 |
| 16 | IJK0804 | | Joint/small/new type;球节套件/小/新式 |
| 17 | | | Cable assembly;电缆组 |
| 17.1 | IJW00108077-00 | | Cable assembly/LT81/8MMQ/6MATT.1/8G;电缆组/LT81/8MMQ/6MATT.1/8G |
| 17.2 | IJW00108071-00 | | Cable assembly/LT81/8MMQ/6MCENTERADAPTOR;电缆组/LT81/8MMQ/6M中央插头 |
| 17.3 | IJW010108077-00 | | Cable assembly/LTM81/8MMQ/6MATT.1/8G;电缆组/LTM81/8MMQ/6MATT.1/8G |
| 17.4 | IJW010108071-00 | | Cable assembly/LTM81/8MMQ/6MCENTERADAPTOR;电缆组/LTM81/8MMQ/6M中央插头 |
| 17.5 | IJW00690 | | Cable assembly/LT81/6 mcentral adaptor;电缆组/LT81/6m/中央插头 |
| 18 | IJDH6017 | | Spanner for Plasma;等离子枪扳手 |
| 19 | IJWA0681 | PF0120 | Plasma torch head LTM81;等离子枪头LTM81 |
| 19a | IJHW0029 | W0300144 | Fiber glass position tube/LTM;自动枪手柄LTM |
| 20 | | | Cable assembly LTM;电缆组LTM |
| 20.1 | IAU5698 | | Connecting adaptor 1/8G-1/4G;转换接头1/8G-1/4G |
| 20.2 | IJAU5697 | | Connecting adaptor 1/8G-3/8G;转换接头1/8G-3/8G |
| 20.3 | IJAU5699 | | Connecting adaptor 1/8G-M14×1;转换接头1/8G-M14×1 |
| 20.4 | IJAU5690 | | Connecting adaptor 1/8G-M16×1.5;转换接头1/8G-M16×1.5 |
| 21 | IJAY0089 | FY0023 | Central adaptor torch side Plasma 5pins;等离子中央插头/5针 |
| 22 | IJTN0067 | CV0052 | Wheel space RA81/S75;滚轮支架A81/S75 |



Technical Data

Current: 100 Amp
 Duty Cycle: 60%
 Gas: AIR
 Gas Pressure: 4.5-5.0 Bar
 Gas Flow: 180LPM
 Ignition: HF
 Post Flow: 100 sec. recommended
 Standard Length: 6M

技术参数

额定电流: 100 Amp
 占载率: 60%
 气体: 空气
 电极尺寸: 4.5-5.0 Bar
 气流量: 180LPM
 引弧方式: 高频
 气体延时: 推荐100秒
 标准长度: 6M

自动枪
 MACHINE TORCH

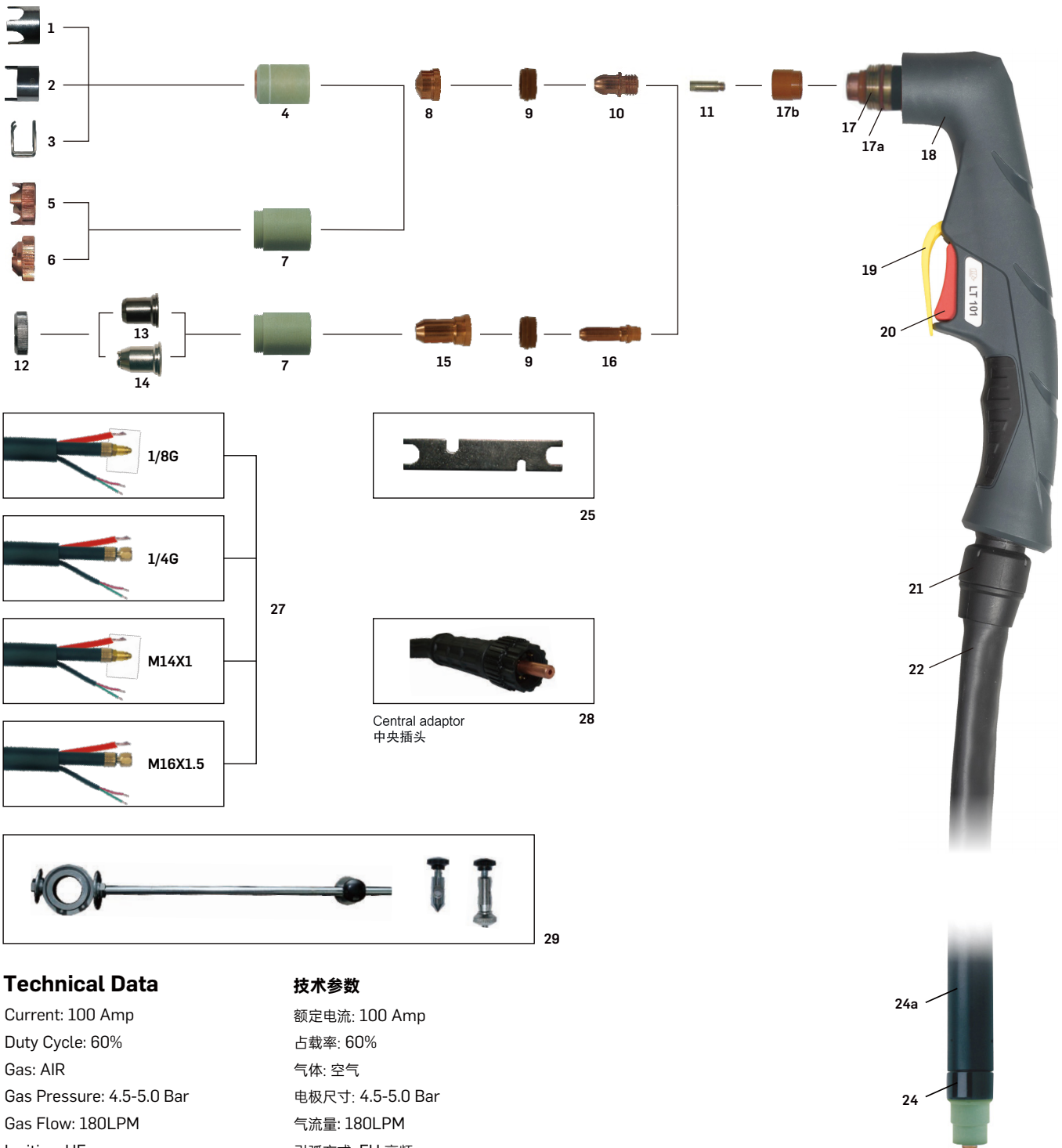
HAND TORCH

| Code | Ref. | Description |
|----------|----------|--|
| IJWU6861 | | Plasma cutting torch LT100/6m 1/8G;等离子切割枪/LT100/6m 1/8G |
| IJWU6867 | | Plasma cutting torch LT100/6m 1/4G;等离子切割枪/LT100/6m 1/4G |
| IJWU6869 | | Plasma cutting torch LT100/6m M14×1;等离子切割枪/LT100/6m/M14×1 |
| IJWU6860 | | Plasma cutting torch LT100/6m M16×1.5;等离子切割枪/LT100/6m/M16×1.5 |
| IJWU6868 | 01251LTR | Plasma cutting torch LT100/6m central adaptor;等离子切割枪/LT100/6m/中央插头 |

MACHINE TORCH

| Code | Ref. | Description |
|----------|----------|--|
| IJWU6772 | | Plasma cutting autotorch LTM100/6m 1/8G;等离子自动切割枪/LTM100/6m 1/8G |
| IJWU6773 | | Plasma cutting autotorch LTM100/6m M14×1;等离子自动切割枪/LTM100/6m/M14×1 |
| IJWU6774 | W0400034 | Plasma cutting autotorch LTM100/6m M16×1.5;等离子自动切割枪/LTM100/6m/M16×1.5 |
| IJWU6776 | 01452 | Plasma cutting autotorch LTM100/6m central adaptor;等离子自动切割枪/LTM100/6m/中央插头 |
| IJWU6777 | | Plasma cutting autotorch LTM100/6m 1/4G;等离子自动切割枪/LTM100/6m 1/4G |

| Position | Code | Ref. | Description |
|----------|-----------------|---------------|---|
| 1 | IJTN0070 | W0300177 | Four pointed spacer/LT100-141;四点支架 LT100-141 |
| 2 | IJTN0078 | 1408/W0300131 | Double pointed spacer/LT100-141;两点支架 LT100-141 |
| 3 | IJTN0077 | W0300130 | Spacer spring LT100-151;隔离环 LT100-151 |
| 4 | IJWT0093 | 1386/W0300130 | Outside nozzle LT100;外喷嘴 LT100 |
| 5 | | | Tip;喷嘴 |
| 5.1 | IJVV0082-11 | 1371/W0300125 | Tip ϕ 1.1mm LT100-150;喷嘴 ϕ 1.1mm/ LT100-150 |
| 5.2 | IJVV0082-13 | 1372/W0300174 | Tip ϕ 1.3mm LT100-150;喷嘴 ϕ 1.3mm/ LT100-150 |
| 5.3 | IJVV0082-16 | 1373/W0300175 | Tip ϕ 1.6mm LT100-150;喷嘴 ϕ 1.6mm/ LT100-150 |
| 6 | IJTN0000 | W0300184 | Locking nut;锁紧螺母 |
| 7 | IJTN0094 | W0300180 | Spacer for contact cutting/LT100-150;隔离支架/接触切割 LT100-150 |
| 8 | IJWT0094 | W0300138 | Contact nozzle retaining cap/LT100;接触式外喷嘴 LT100 |
| 9 | | | Tip;喷嘴 |
| 9.1 | IJVV0084-13 | W0300135 | Flat tip ϕ 1.35mm/LT100-150;扁平喷嘴 ϕ 1.35mm/LT100-150 |
| 9.2 | IJVV0084-16 | W0300175 | Flat tip ϕ 1.6mm/LT100-150;扁平喷嘴 ϕ 1.6mm/LT100-150 |
| 10 | IJWG0015 | 1377/W0300124 | Diffuser LT100-150;分流器 LT100-150 |
| 11 | IJWC0090 | 1376/W0300123 | Electrode HF LT100-150;等离子电极 HF/LT100-150 |
| 12 | IJA00770 | W0300122 | Air tube/LT100;导流管 LT100 |
| 13 | IJTN0014 | W0300182 | Shield cap hand tip (Max 50A)/LT100-151;切割保护帽(最大50A) LT100-151 |
| 14 | IJTN0015 | W0300183 | Spacer for contact cutting hand tip /LT100-151;长接触切割保护帽/ LT100-151 |
| 15 | | | Tip;喷嘴 |
| 15.1 | IJVV0086-13 | W0300178 | Extended tip ϕ 1.35mm/LT100-150;加长喷嘴 ϕ 1.35mm/ LT100-150 |
| 15.2 | IJVV0086-16 | W0300179 | Extended tip ϕ 1.6mm/LT100-150;加长喷嘴 ϕ 1.6mm/ LT100-150 |
| 15.3 | IJVV0086-18 | | Extended tip ϕ 1.8mm/LT100-150;加长喷嘴 ϕ 1.8mm/ LT100-150 |
| 15.4 | IJVV0091-11 | 1369/W0300134 | Contact extended tip 50A/LT100-150;接触加长喷嘴 50A/LT100-150 |
| 16 | IJWC0006 | 1517/W0300133 | Extended electrode HF Plasma LT100-150;加长等离子电极 HF/LT100-150 |
| 17 | IJA00773 | | Extended air tube/LT100;加长导流管 LT100 |
| 18 | IJWG9017 | | Front insulator/LT100-101;枪颈前端绝缘圈 LT100-101 |
| 19 | IJWA0036 | | Plasma torch head LT100;等离子枪头 LT100 |
| 19a | IJGU0690 | 1398/W0300121 | "O"ring LT100;O型圈 LT100 |
| 20 | IJHW0046 | | Plasma handle manual/A Series/Red;等离子手柄/A系列/红色 |
| 21 | IJK0733 | | Protection part/Plasma/Yellow;开关保护档片/等离子用/黄色 |
| 22 | IJIR0081 | 185.0031 | Trigger;开关 |
| 23 | IJK0805 | | Joint/big/new type;球节套件/大/新式 |
| 24 | | | Cable assembly;电缆组 |
| 24.1 | IJW000210077-00 | | Cable assembly/LT100-101/10MMQ/6M ATT.1/8G;电缆组/LT100-101/10MMQ/6M ATT.1/8G |
| 24.2 | IJW000210071-00 | | Cable assembly/LT100-101/10MMQ/6M central adaptor;电缆组/LT100-101/10MMQ/6M 中央插头 |
| 24.3 | IJW010210077-00 | | Cable assembly/LTM100-101/10MMQ/6M ATT.1/8G;电缆组/LTM100-101/10MMQ/6M ATT.1/8G |
| 24.4 | IJW010210071-00 | | Cable assembly/LTM100-101/10MMQ/6M central adaptor;电缆组/LTM100-101/10MMQ/6M 中央插头 |
| 24.5 | IJW00642 | | Cable assembly/LT100-101/6M/central adaptor;电 缆组/LT100-101/6m/中央插头 |
| 25 | IJDH6017 | | Spanner for Plasma;等离子枪扳手 |
| 26 | IJWA0093 | W0300143 | Plasma torch head LTM100;等离子枪头 LTM100 |
| 26a | IJHW0024 | W0300144 | Fiber glass position tube/LTM;自动枪手柄 LTM |
| 27 | | | Cable assembly LTM;电缆组 LTM |
| 27.1 | IJAU5698 | | Connecting adaptor 1/8G-1/4G; 转换接头 1/8G-1/4G |
| 27.2 | IJAU5699 | | Connecting adaptor 1/8G-M14×1; 转换接头 1/8G-M14×1 |
| 27.3 | IJAU5690 | | Connecting adaptor 1/8G-M16×1.5;转换接头1/8G-M16×1.5 |
| 28 | IJAY0089 | | Central adaptor torch side Plasma 5 pins;等离子中央插头/5针 |
| 29 | IJTN0088 | 169 | Circle cutting attachment/LT100-151;圆周切割附件 LT100-151 |



Technical Data

Current: 100 Amp
 Duty Cycle: 60%
 Gas: AIR
 Gas Pressure: 4.5-5.0 Bar
 Gas Flow: 180LPM
 Ignition: HF
 Post Flow: 100 sec. recommended
 Standard Length: 6M

技术参数

额定电流: 100 Amp
 占载率: 60%
 气体: 空气
 电极尺寸: 4.5-5.0 Bar
 气流量: 180LPM
 引弧方式: FH 高频
 气体延时: 推荐100秒
 标准长度: 6M

自动枪
MACHINE TORCH

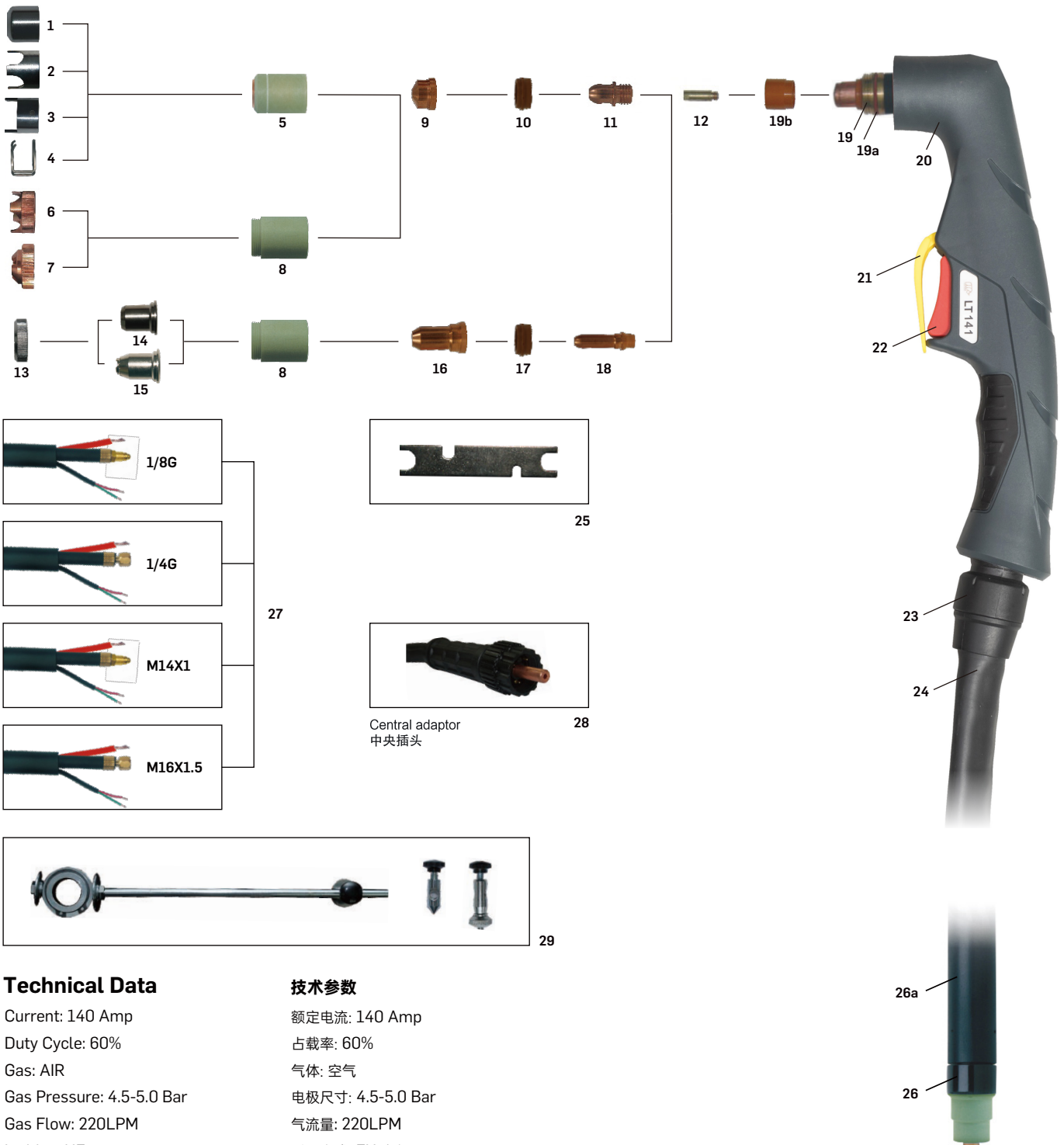
HAND TORCH

| Code | Ref. | Description |
|----------|--------|--|
| IJWU6961 | PA1450 | Plasma cutting torch LT101/6m M14×1;等离子切割枪/LT101/6m/M14×1 |
| IJWU6967 | | Plasma cutting torch LT101/6m 3/8G;等离子切割枪/LT101/6m 3/8G |
| IJWU6968 | PA1452 | Plasma cutting torch LT101/6m central adaptor;等离子切割枪/LT101/6m/中央插头 |
| IJWU6969 | | Plasma cutting torch LT101/6m M16×1.5;等离子切割枪/LT101/6m/M16×1.5 |
| IJWU6960 | | Plasma cutting torch LT101/6m 1/4G;等离子切割枪/LT101/6m 1/4G |

MACHINE TORCH

| Code | Ref. | Description |
|----------|--------|---|
| IJWU0671 | PA0110 | Plasma cutting auto torch LTM101/6m M14×1;等离子自动切割枪/LTM101/6m/M14×1 |
| IJWU0677 | PA0111 | Plasma cutting auto torch LTM101/6m central adaptor;等离子自动切割枪/LTM101/6m/中央插头 |
| IJWU0692 | | Plasma cutting auto torch LTM101/6m 1/4G;等离子自动切割枪/LTM101/6m 1/4G |
| IJWU0693 | | Plasma cutting auto torch LTM101/6m 3/8G;等离子自动切割枪/LTM101/6m 3/8G |
| IJWU0694 | | Plasma cutting auto torch LTM101/6m M16×1.5;等离子自动切割枪/LTM101/6m/M16×1.5 |

| Position | Code | Ref. | Description |
|----------|-----------------|-----------|---|
| 1 | IJTN0069 | CV0014 | Four point edspacer/LT100-150;四点支架LT100-150 |
| 2 | IJTN0078 | CV0012 | Double point edspacer/LT100-150;两点支架LT100-150 |
| 3 | IJTN0077 | CV0011 | Spacer spring LT100-150;隔离环LT100-150 |
| 4 | IJWT0677 | PC0111 | Outside nozzle LT101;外喷嘴LT101 |
| 5 | IJTN0095 | CV0039 | Four point crown shield with insulator/LT101-141;四点支架/带绝缘环LT101-141 |
| 6 | IJTN0089 | CV0023 | Spacer for contact cutting/LT101-141;隔离支架/接触切割LT101-141 |
| 7 | IJWT0691 | PC0130 | Contact nozzle retaining cap/LT101;接触式外喷嘴LT101 |
| 8 | | | Tip;喷嘴 |
| 8.1 | IJWV0617-11 | PD0101-11 | Tip ϕ 1.1mm LT101-141;喷嘴 ϕ 1.1mm/LT101-141 |
| 8.2 | IJWV0617-14 | PD0101-14 | Tip ϕ 1.4mm LT101-141;喷嘴 ϕ 1.4mm/LT101-141 |
| 8.3 | IJWV0617-17 | PD0101-17 | Tip ϕ 1.7mm LT101-141;喷嘴 ϕ 1.7mm/LT101-141 |
| 9 | IJWG0617 | PE0101 | Diffuser LT101-141;分流器LT101-141 |
| 10 | IJWC0617 | PR0101 | Electrode Plasma LT101-141;等离子电极LT101-141 |
| 11 | IJA00770 | | Airtube/LT100-101;导流管LT100-101 |
| 12 | IJTN0000 | | Locking nut;锁紧螺母 |
| 13 | IJTN0014 | CV0008 | Contact cutting attachment/LT101-151;接触切割保护帽LT100-151 |
| 14 | IJTN0015 | CV0009 | Long contact cutting attachment/LT101-151;长接触切割保护帽LT100-151 |
| 15 | | | Tip;喷嘴 |
| 15.1 | IJWV0673-14 | PD0117-14 | Extended tip ϕ 1.4mm/LT101-151;加长喷嘴 ϕ 1.4mm/LT101-151 |
| 15.2 | IJWV0673-17 | PD0117-17 | Extended tip ϕ 1.7mm/LT101-151;加长喷嘴 ϕ 1.7mm/LT101-151 |
| 15.3 | IJWV0677 | | Extended tip 50A/LT101-151;加长喷嘴50A/LT101-151 |
| 16 | IJWC0672 | PR0116 | Extended electrode Plasma LT101;加长等离子电极LT101 |
| 17 | IJWA0606 | | Plasma torch head LT101;等离子枪头LT101 |
| 17a | IJGU0697 | EA0131 | "O"ring ϕ 18.77x1.78mm in silicon;O型圈 ϕ 18.77x1.78mm/硅胶 |
| 17b | IJWG9017 | | Frontin sulator/LT101;枪颈前端绝缘圈LT101 |
| 18 | IJHW0046 | | Plasma hand lemanual/A Series/Red;等离子手工手柄/A系列/红色 |
| 19 | IJKO733 | | Protection part/Plasma/Yellow;开关保护档片/等离子用/黄色 |
| 20 | IJRO081 | 185.0031 | Trigger;开关 |
| 21 | IJKO805 | | Joint/big/new type;球节套件/大/新式 |
| 22 | | | Cable assembly;电缆组 |
| 22.1 | IJWO00210077-00 | | Cable assembly/LT100-101/10MMQ/6MATT.1/8G;电缆组/LT100-101/10MMQ/6MATT.1/8G |
| 22.2 | IJWO00210071-00 | | Cable assembly/LT100-101/10MMQ/6M central adaptor;电缆组/LT100-101/10MMQ/6M中央插头 |
| 22.3 | IJWO10210077-00 | | Cable assembly/LTM100-101/10MMQ/6MATT.1/8G;电缆组/LT100-101/10MMQ/6MATT.1/8G |
| 22.4 | IJWO10210071-00 | | Cable assembly/LTM100-101/10MMQ/6M central adaptor;电缆组/LT100-101/10MMQ/6M中央插头 |
| 22.5 | IJWO0642 | | Cable assembly/LT100-101/6M/central adaptor;电缆组/LT100-101/6m/中央插头 |
| 23 | IJDH6017 | | Spanner for Plasma;等离子枪扳手 |
| 24 | IJWA0676 | | Plasma torch head LTM101;等离子枪头LTM101 |
| 24a | IJHW0024 | W0300144 | Fiber glass position tube/LTM;自动枪手柄LTM |
| 25 | | | Cable assembly LTM;电缆组LTM |
| 25.1 | IJAU5698 | | Connecting adaptor 1/8G-1/4G;转换接头1/8G-1/4G |
| 25.2 | IJAU5697 | | Connecting adaptor 1/8G-3/8G;转换接头1/8G-3/8G |
| 25.3 | IJAU5699 | | Connecting adaptor 1/8G-M14×1;转换接头1/8G-M14×1 |
| 25.4 | IJAU5690 | | Connecting adaptor 1/8G-M16×1.5;转换接头1/8G-M16×1.5 |
| 26 | IJAY0089 | FY0023 | Central adaptor torch side Plasma 5pins;等离子中央插头/5针 |
| 27 | IJTN0088 | CV0022 | Circle cutting attachment/LT100-151;圆周切割附件LT100-151 |



Technical Data

Current: 140 Amp
 Duty Cycle: 60%
 Gas: AIR
 Gas Pressure: 4.5-5.0 Bar
 Gas Flow: 220LPM
 Ignition: HF
 Post Flow: 140 sec. recommended
 Standard Length: 6M

技术参数

额定电流: 140 Amp
 占载率: 60%
 气体: 空气
 电极尺寸: 4.5-5.0 Bar
 气流量: 220LPM
 引弧方式: FH 高频
 气体延时: 推荐140秒
 标准长度: 6M

自动枪
MACHINE TORCH

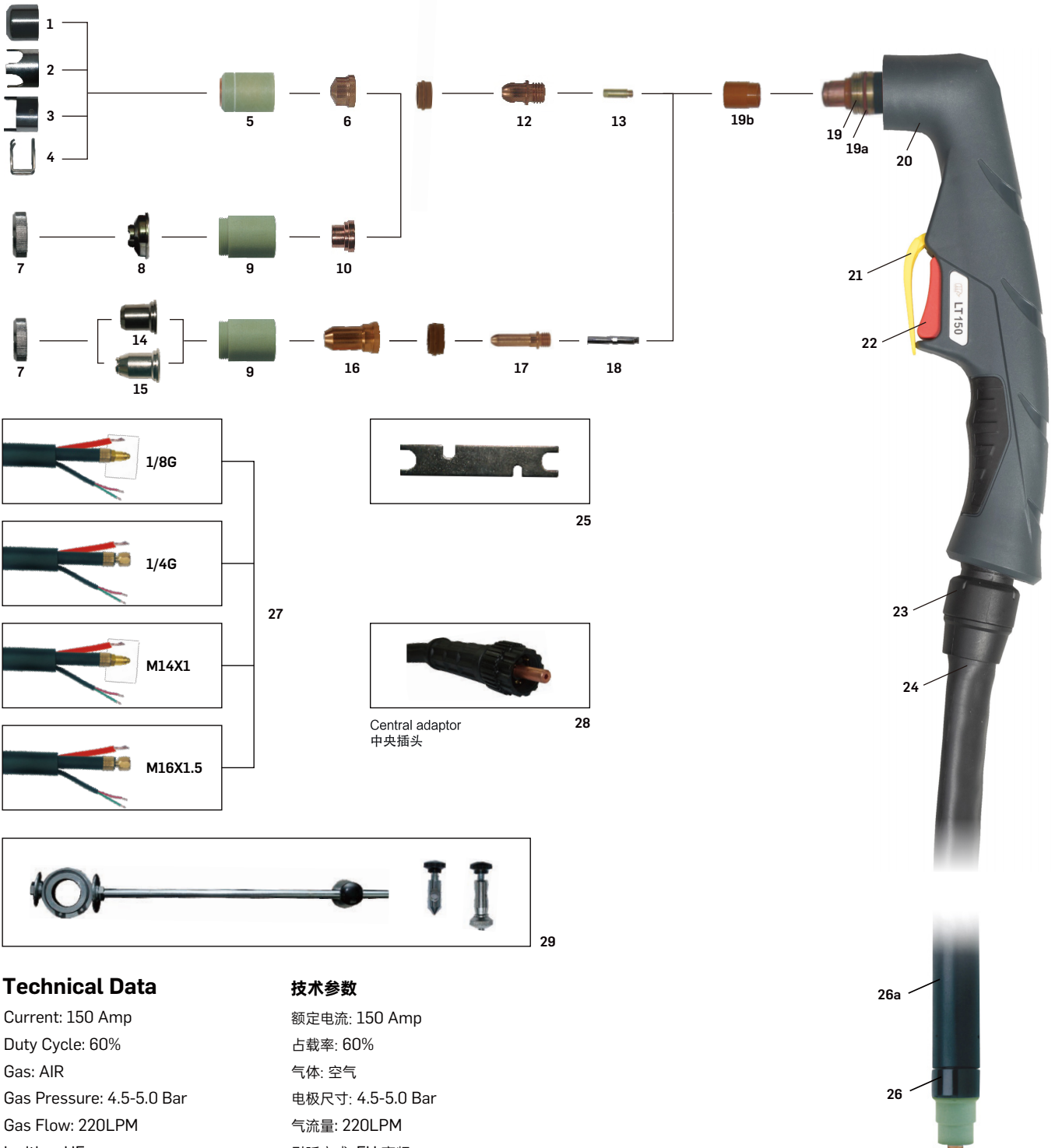
HAND TORCH

| Code | Ref. | Description | Code | Ref. | Description |
|----------|--------|---|----------|--------|--|
| IJWU6518 | PA1502 | Plasma cutting torch LT141/6m 1/4G;等离子切割枪 | IJWU6519 | | Plasma cutting torch LT141/12m 1/4G;等离子切割枪 |
| IJWU6512 | | Plasma cutting torch LT141/6m 3/8G;等离子切割枪 | IJWU6513 | | Plasma cutting torch LT141/12m 3/8G;等离子切割枪 |
| IJWU6511 | PA1500 | Plasma cutting torch LT141/6m M14×1;等离子切割枪 | IJWU6517 | PA1501 | Plasma cutting torch LT141/12m M14×1;等离子切割枪 |
| IJWU6515 | | Plasma cutting torch LT141/6m M16×1.5;等离子切割枪 | IJWU6571 | | Plasma cutting torch LT141/12m M16×1.5;等离子切割枪 |
| IJWU6510 | PA1504 | Plasma cutting torch LT141/6m central adaptor;等离子切割枪/中央插头 | IJWU6516 | PA1505 | Plasma cutting torch LT141/12m central adaptor;等离子切割枪/中央插头 |

MACHINE TORCH

| Code | Ref. | Description | Code | Ref. | Description |
|----------|--------|---|----------|--------|--|
| IJWU0614 | | Plasma cutting atuo torch LTM141/6m 1/4G;等离子自动切割枪 | IJWU0612 | | Plasma cutting atuo torch LTM141/12m 1/4G;等离子自动切割枪 |
| IJWU0616 | | Plasma cutting atuo torch LTM141/6m 3/8G;等离子自动切割枪 | IJWU0615 | | Plasma cutting atuo torch LTM141/12m 3/8G;等离子自动切割枪 |
| IJWU0619 | PA0103 | Plasma cutting atuo torch LTM141/6m M14×1;等离子自动切割枪 | IJWU0610 | PA0104 | Plasma cutting atuo torch LTM141/12m M14×1;等离子自动切割枪 |
| IJWU0606 | PA0145 | Plasma cutting atuo torch LTM141/6m M16×1.5;等离子自动切割枪 | IJWU0602 | PA0146 | Plasma cutting atuo torch LTM141/12m central adaptor;自动割枪/中央插头 |
| IJWU0608 | | Plasma cutting atuo torch LTM141/6m central adaptor;自动割枪/中央插头 | IJWU0609 | | Plasma cutting atuo torch LTM141/12m M16×1.5;等离子自动切割枪 |

| Position | Code | Ref. | Description |
|----------|-----------------|-----------|---|
| 1 | IJTN0079 | CV0013 | Gouging spacer/LT141-150;弧口凿支架LT141-150 |
| 2 | IJTN0070 | CV0014 | Four pointed spacer/LT100-150;四点支架LT100-150 |
| 3 | IJTN0078 | CV0012 | Double pointed spacer/LT100-150;两点支架LT100-150 |
| 4 | IJTN0077 | CV0011 | Spacer spring LT100-150;隔离环LT100-150 |
| 5 | IJWT0618 | PC0102 | Outside nozzle LT141;外喷嘴LT141 |
| 6 | IJTN0095 | CV0039 | Four point crown shield with insulator/LT101-141;四点支架/带绝缘环LT101-141 |
| 7 | IJTN0089 | CV0023 | Spacer for contact cutting/LT101-141;隔离支架/接触切割LT101-141 |
| 8 | IJWT0697 | PC0131 | Outside nozzle LT141-151;外喷嘴LT141-151 |
| 9 | | | Tip;喷嘴 |
| 9.1 | IJWV0617-11 | PD0101-11 | Tip Ø1.1mm/LT101-141;喷嘴Ø1.1mm/LT101-141 |
| 9.2 | IJWV0617-14 | PD0101-14 | Tip Ø1.4mm/LT101-141;喷嘴Ø1.4mm/LT101-141 |
| 9.3 | IJWV0617-17 | PD0101-17 | Tip Ø1.7mm/LT101-141;喷嘴Ø1.7mm/LT101-141 |
| 9.4 | IJWV0617-19 | PD0101-19 | Tip Ø1.9mm/LT101-141;喷嘴Ø1.9mm/LT101-141 |
| 10 | IJWG0617 | PE0101 | Diffuser LT101-141;分流器LT101-141 |
| 11 | IJWC0617 | PR0101 | Electrode Plasma LT101-141;等离子电极LT101-141 |
| 12 | IJA00779 | | Airtube/LT141-151;导气管LT101-141 |
| 13 | IJTN0000 | | Locking nut;锁紧螺母 |
| 14 | IJTN0014 | CV0008 | Contact cutting attachment/LT100-151;接触切割保护帽LT100-151 |
| 15 | IJTN0015 | CV0009 | Long contact cutting attachment/LT100-151;长接触切割保护帽LT100-151 |
| 16 | | | Tip;喷嘴 |
| 16.1 | IJWV0673-14 | PD0117-14 | Extended tip Ø1.4mm/LT101-151;加长喷嘴Ø1.4mm/LT101-151 |
| 16.2 | IJWV0673-17 | PD0117-17 | Extended tip Ø1.7mm/LT101-151;加长喷嘴Ø1.7mm/LT101-151 |
| 16.3 | IJWV0673-19 | PD0117-19 | Extended tip Ø1.9mm/LT101-151;加长喷嘴Ø1.9mm/LT101-151 |
| 16.4 | IJWV0677 | PD0111 | Extended tip 50A/LT101-151;加长喷嘴50A/LT101-151 |
| 17 | IJWG0619 | PE0103 | Diffuser LT151;分流器LT151 |
| 18 | IJWC0672 | PR0116 | Extended electrode Plasma LT101;加长等离子电极LT101 |
| 19 | IJWA0666 | | Plasma torch head LT141;等离子枪头LT141 |
| 19a | IJGU0697 | EA0131 | "O"ring Ø18.77x1.78m minsilicon;O型圈Ø18.77x1.78mm/硅胶 |
| 19b | IJWG9018 | | Frontin sulator/LT141-151;枪颈前端绝缘圈LT141-151 |
| 20 | IJHW0046 | | Plasma handle manual/ASeries/Red;等离子手工手柄/A系列/红色 |
| 21 | IJK0733 | | Protection part/Plasma/Yellow;开关保护档片/等离子用/黄色 |
| 22 | IJRO081 | 185.0031 | Trigger;开关 |
| 23 | IJK0805 | | Joint/big/newtype;球节套件/大/新式 |
| 24 | | | Cable assembly;电缆组 |
| 24.1 | IJW000316071-00 | | Cable assembly/LT141-151/16MQ/6M center adaptor;电缆组/LT141-151/16MMQ/6M中央插头 |
| 24.2 | IJW000316077-00 | | Cable assembly/LT141-151/16MQ/6MATT.1/8G;电缆组/LT141-151/16MMQ/6MATT.1/8G |
| 24.3 | IJW010316071-00 | | Cable assembly/LTM141-151/16MQ/6Mcenter adaptor;电缆组/LTM141-151/16MMQ/6M中央插头 |
| 24.4 | IJW010316077-00 | | Cable assembly/LTM141-151/16MQ/6MATT.1/8G;电缆组/LTM141-151/16MMQ/6MATT.1/8G |
| 24.5 | IJW00600 | | Cable assembly LT141-151/6m central adaptor;电缆组/LT141-151/6m/中央插头 |
| 25 | IJDH6017 | | Spanner for Plasma;等离子枪扳手 |
| 26 | IJWA0618 | | Plasma torch head LTM141;等离子枪头LTM141 |
| 26a | IJHW0024 | W0300144 | Fiber glass position tube/LTM;自动枪手柄LTM |
| 27 | | | Cable assembly LTM;电缆组LTM |
| 27.1 | IJAU5698 | | Connecting adaptor 1/8G-1/4G;转换接头1/8G-1/4G |
| 27.2 | IJAU5697 | | Connecting adaptor 1/8G-3/8G;转换接头1/8G-3/8G |
| 27.3 | IJAU5699 | | Connecting adaptor 1/8G-M14×1;转换接头1/8G-M14×1 |
| 27.4 | IJAU5690 | | Connecting adaptor 1/8G-M16×1.5;转换接头1/8G-M16×1.5 |
| 28 | IJAY0089 | FY0023 | Central adaptor torch side Plasma Spins;等离子中央插头/5针 |
| 29 | IJTN0088 | CV0022 | Circle cutting attachment/LT100-151;圆周切割附件LT100-151 |



Technical Data

Current: 150 Amp
 Duty Cycle: 60%
 Gas: AIR
 Gas Pressure: 4.5-5.0 Bar
 Gas Flow: 220LPM
 Ignition: HF
 Post Flow: 140 sec. recommended
 Standard Length: 6M

技术参数

额定电流: 150 Amp
 占载率: 60%
 气体: 空气
 电极尺寸: 4.5-5.0 Bar
 气流量: 220LPM
 引弧方式: FH 高频
 气体延时: 推荐150秒
 标准长度: 6M

自动枪
MACHINE TORCH

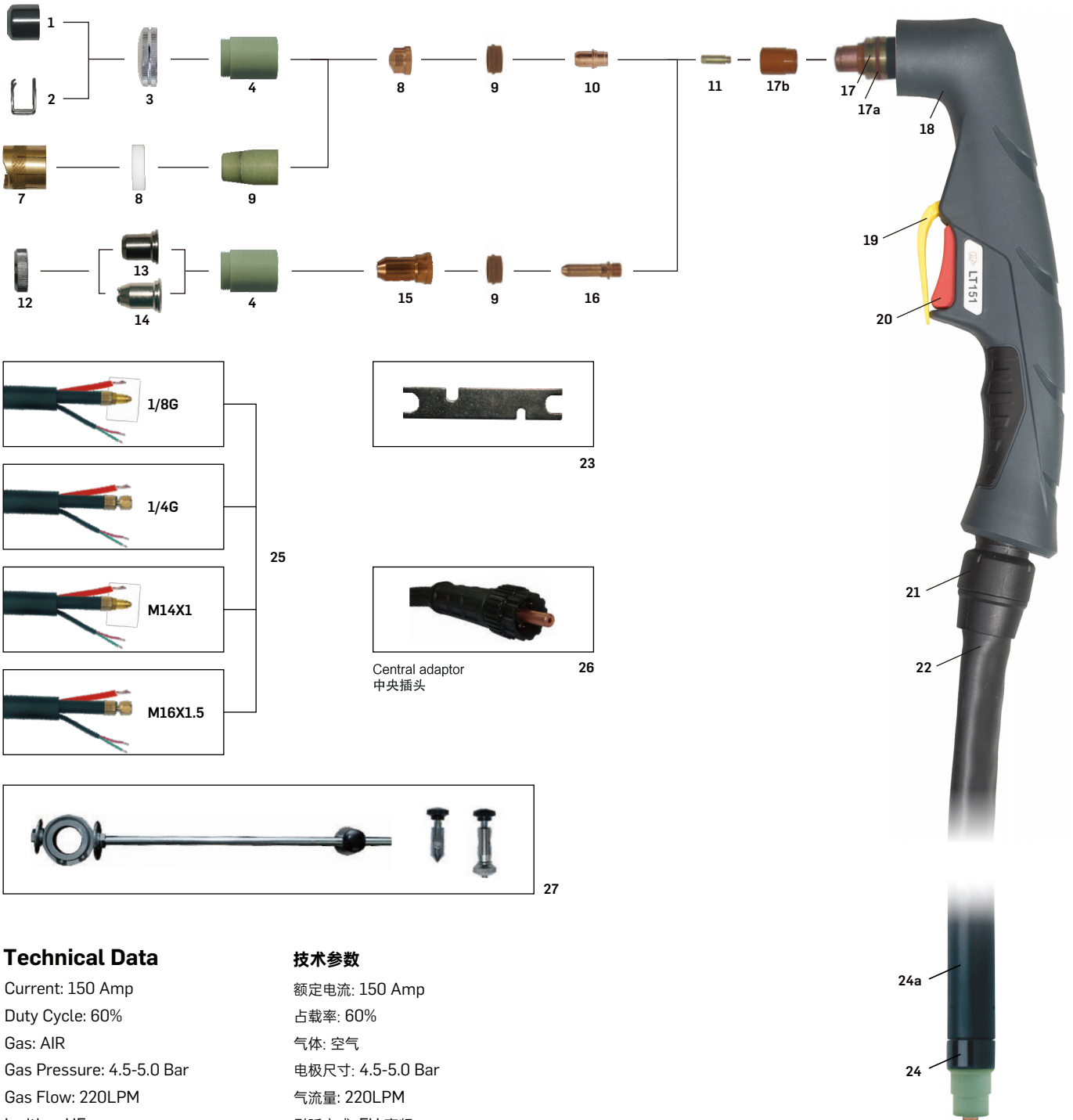
HAND TORCH

| Code | Ref. | Description | Code | Ref. | Description |
|----------|------|---|----------|------|--|
| IJWU6831 | | Plasma cutting torch LT150/6m 1/8G;等离子切割枪 | IJWU6841 | | Plasma cutting torch LT150/12m 1/8G;等离子切割枪 |
| IJWU6837 | | Plasma cutting torch LT150/6m 1/4G;等离子切割枪 | IJWU6847 | | Plasma cutting torch LT150/12m 1/4G;等离子切割枪 |
| IJWU6838 | 1576 | Plasma cutting torch LT150/6m central adaptor;等离子切割枪/中央插头 | IJWU6848 | | Plasma cutting torch LT150/12m central adaptor;等离子切割枪/中央插头 |
| IJWU6839 | | Plasma cutting torch LT150/6m M16×1.5;等离子切割枪 | IJWU6849 | | Plasma cutting torch LT150/12m M16×1.5;等离子切割枪 |
| IJWU6830 | | Plasma cutting torch LT150/6m M14×1;等离子切割枪 | IJWU6840 | | Plasma cutting torch LT150/12m M14×1;等离子切割枪 |

MACHINE TORCH

| Code | Ref. | Description | Code | Ref. | Description |
|----------|------|--|----------|------|--|
| IJWU6742 | | Plasma cutting auto torch LTM150/6m M16×1.5;等离子自动切割枪 | IJWU6892 | | Plasma cutting auto torch LTM150/12m M16×1.5;等离子自动切割枪 |
| IJWU6746 | 1577 | Plasma cutting auto torch LTM150/6m central adaptor;等离子自动切割枪 | IJWU6896 | | Plasma cutting auto torch LTM150/12m central adaptor;等离子自动切割枪/中央插头 |
| IJWU6748 | | Plasma cutting auto torch LTM150/6m 1/4G;等离子自动切割枪 | IJWU6898 | | Plasma cutting auto torch LTM150/12m 1/4G;等离子自动切割枪 |
| IJWU6749 | | Plasma cutting auto torch LTM150/6m M14×1;等离子自动切割枪 | IJWU6899 | | Plasma cutting auto torch LTM150/12m M14×1;等离子自动切割枪 |
| IJWU6740 | 1529 | Plasma cutting auto torch LTM150/6m 1/8G;等离子自动切割枪 | IJWU6890 | | Plasma cutting auto torch LTM150/12m 1/8G;等离子自动切割枪 |

| Position | Code | Ref. | Description |
|----------|-----------------|---------------|--|
| 1 | IJTN0079 | 1406 | Gouging spacer/LT141-150;弧口凿支架LT141-150 |
| 2 | IJTN0070 | W0300177 | Four pointed spacer/LT101-150;四点支架LT101-141 |
| 3 | IJTN0078 | 1408/W0300131 | Double pointed spacer/LT101-150;两点支架LT101-141 |
| 4 | IJTN0077 | | Spacer spring/LT100-150;隔离环LT100-150 |
| 5 | IJWT0018 | 1389 | Outside nozzle LT150;外喷嘴LT150 |
| 6 | | | Tip;喷嘴 |
| 6.1 | IJWV0082-11 | 1371 | Tip ϕ 1.1mm LT100-150;喷嘴 ϕ 1.1mm/LT100-150 |
| 6.2 | IJWV0082-13 | 1372 | Tip ϕ 1.35mm LT100-150;喷嘴 ϕ 1.35mm/LT100-150 |
| 6.3 | IJWV0082-16 | 1373 | Tip ϕ 1.6mm LT100-150;喷嘴 ϕ 1.6mm/LT100-150 |
| 6.4 | IJWV0082-18 | 1374 | Tip ϕ 1.8mm LT100-150;喷嘴 ϕ 1.8mm/LT100-150 |
| 7 | IJTN0000 | W0300184 | Locking nut;锁紧螺母 |
| 8 | IJTN0094 | W0300180 | Spacer for contact cutting/LT100-150;隔离支架/接触切割LT101-141 |
| 9 | IJWT0090 | | Contact cutting nozzle LT150;接触式外喷嘴LT150 |
| 10 | | | Tip;喷嘴 |
| 10.1 | IJWV0084-14 | W0300135 | Flat tip ϕ 1.35mm/LT100-150;喷嘴 ϕ 1.35mm/LT100-150 |
| 10.2 | IJWV0084-16 | W0300137 | Flat tip ϕ 1.6mm/LT100-150;喷嘴 ϕ 1.6mm/LT100-150 |
| 10.3 | IJWV0084-18 | 51412 | Flat tip ϕ 1.8mm/LT100-150;喷嘴 ϕ 1.8mm/LT100-150 |
| 11 | IJWG0015 | 1377/W0300124 | Diffuser LT100-150;分流器LT100-150 |
| 12 | IJWC0090 | 1376/W0300123 | Electrode HFLT100-150;等离子电极/HF/LT100-150 |
| 13 | IJA00779 | 1378 | Airtube LT141-151;导流管LT141-151 |
| 14 | IJTN0014 | W0300182 | Contact cutting attachment/LT100-150;接触切割保护帽LT100-150 |
| 15 | IJTN0015 | W0300183 | Long contact cutting attachment/LT100-150;长接触切割保护帽LT100-150 |
| 16 | | | Tip;喷嘴 |
| 16.1 | IJWV0086-14 | W0300178 | Extended tip ϕ 1.4mm/LT100-150;喷嘴 ϕ 1.4mm/LT100-150 |
| 16.2 | IJWV0086-16 | W0300179 | Extended tip ϕ 1.6mm/LT100-150;喷嘴 ϕ 1.6mm/LT100-150 |
| 16.3 | IJWV0086-18 | | Extended tip ϕ 1.8mm/LT100-150;喷嘴 ϕ 1.8mm/LT100-150 |
| 16.4 | IJWV0091-11 | 1369/W0300134 | Contact Extended tip 50A/LT100-150;接触加长喷嘴50A/LT100-150 |
| 17 | IJWC0006 | 1517/W0300133 | Extended electrode HF Plasma LT100-150;加长等离子电极HF/LT100-150 |
| 18 | IJA00775 | | Extended air tube/LT150;加长导流管LT150 |
| 19 | IJWA0041 | | Plasma torch head/LT150等离子枪头LT150 |
| 19a | IJGU0690 | 1398/W0300121 | "O"ring LT150;O型圈LT150 |
| 19b | IJWG9018 | | Frontinulator LT141-151;枪颈前绝缘圈LT141-151 |
| 20 | IJHW0046 | | Plasma hand lemanual/ASeries/Red;等离子手工手柄/A系列/红色 |
| 21 | IJKO733 | | Protection part/Plasma/Yellow;开关保护档片/等离子用/黄色 |
| 22 | IJRO081 | 185.0031 | Trigger;开关 |
| 23 | IJKO805 | | Joint/big/new type;球节套件/大/新式 |
| 24 | | | Cable assembly;电缆组 |
| 24.1 | IJWO00316071-00 | | Cable assembly/LT141-151/16MQ/6M center adaptor;电缆组/LT141-151/16MMQ/6M中央插头 |
| 24.2 | IJWO00316077-00 | | Cable assembly/LT141-151/16MQ/6M ATT.1/8G;电缆组/LT141-151/16MMQ/6MATT.1/8G |
| 24.3 | IJWO10316071-00 | | Cable assembly/LTM141-151/16MQ/6M center adaptor;电缆组/LTM141-151/16MMQ/6M中央插头 |
| 24.4 | IJWO10316077-00 | | Cable assembly/LTM141-151/16MQ/6M ATT.1/8G;电缆组/LTM141-151/16MMQ/6MATT.1/8G |
| 24.5 | IJWO0600 | | Cable assembly/LT141-151/6m central adaptor;电缆组/LT141-151/6m/中央插头 |
| 25 | IJDH6017 | | Spanner for Plasma;等离子枪扳手 |
| 26 | IJWA0090 | 1354 | Plasma torch head LTM150;等离子枪头LTM150 |
| 26a | IJHW0024 | | Fiber glass position tube/LTM;自动枪手柄LTM |
| 27 | | | Cable assembly LTM;电缆组LTM |
| 27.1 | IJAU5698 | | Connecting adaptor 1/8G-1/4G;转换接头1/8G-1/4G |
| 27.2 | IJAU5699 | | Connecting adaptor 1/8G-M14×1;转换接头1/8G-M14×1 |
| 27.3 | IJAU5690 | | Connecting adaptor 1/8G-M16×1.5;转换接头1/8G-M16×1.5 |
| 28 | IJAY0089 | | Central adaptor torch side Plasma 5 pins;等离子中央插头/5针 |
| 29 | IJTN0088 | 169 | Circle cutting attachment/LT100-151;圆周切割附件LT100-151 |



Technical Data

Current: 150 Amp
 Duty Cycle: 60%
 Gas: AIR
 Gas Pressure: 4.5-5.0 Bar
 Gas Flow: 220LPM
 Ignition: HF
 Post Flow: 140 sec. recommended
 Standard Length: 6M

技术参数

额定电流: 150 Amp
 占载率: 60%
 气体: 空气
 电极尺寸: 4.5-5.0 Bar
 气流量: 220LPM
 引弧方式: FH 高频
 气体延时: 推荐150秒
 标准长度: 6M

自动枪
MACHINE TORCH

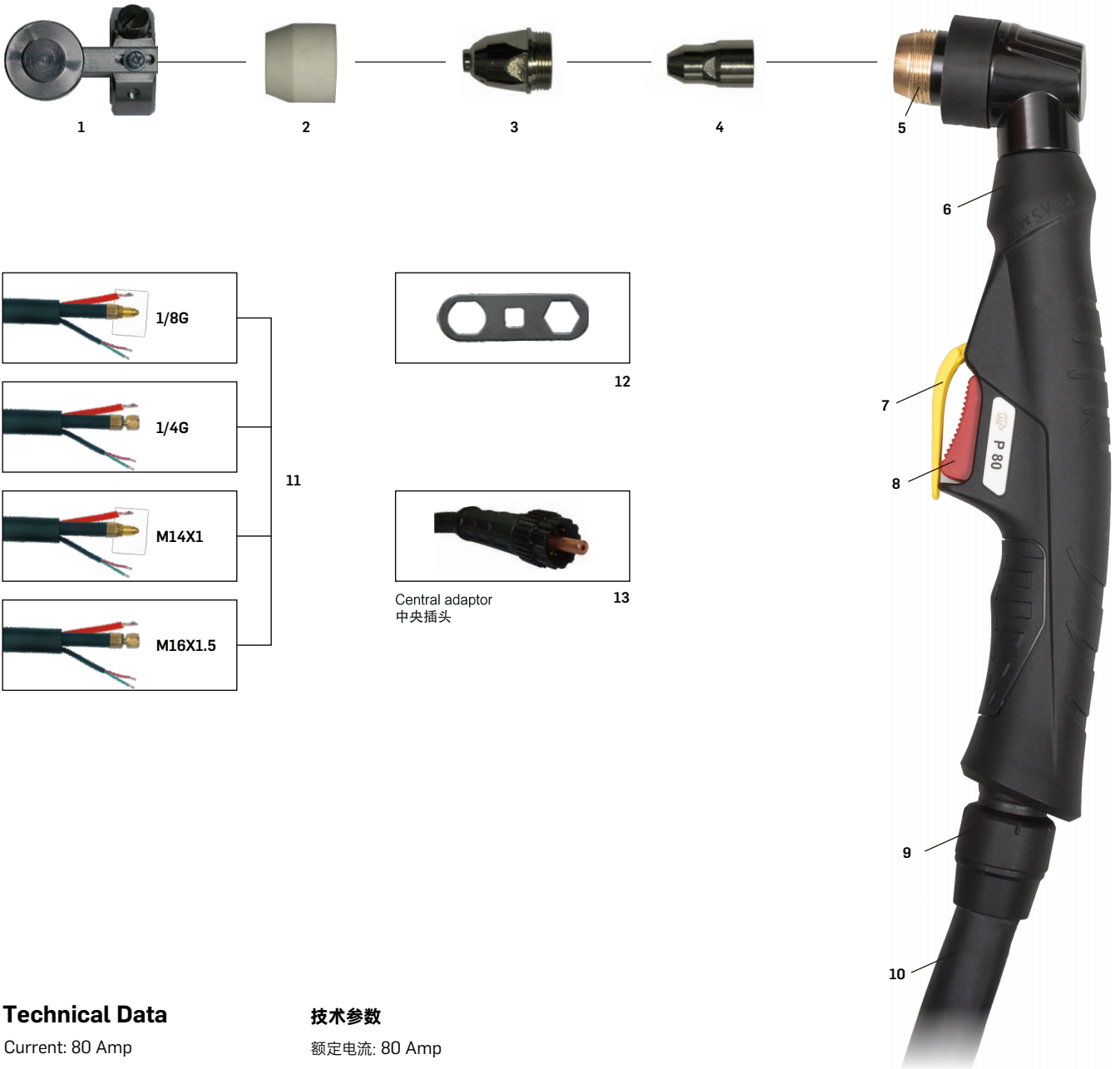
HAND TORCH

| Code | Ref. | Description | Code | Ref. | Description |
|----------|--------|---|----------|------|---|
| IJWU6561 | PA1550 | Plasma cutting torch LT150/6m 1/8G;等离子切割枪 | IJWU6567 | | Plasma cutting torch LT151/12m M14×1;等离子切割枪/LT151/12m/M14×1 |
| IJWU6562 | | Plasma cutting torch LT150/6m 1/4G;等离子切割枪 | IJWU6563 | | Plasma cutting torch LT151/12m 3/8G;等离子切割枪/LT151/12m 3/8G |
| IJWU6564 | | Plasma cutting torch LT150/6m central adaptor;等离子切割枪/中央插头 | IJWU6565 | | Plasma cutting torch LT151/12m M16×1.5;等离子切割枪 |
| IJWU6568 | | Plasma cutting torch LT150/6m M16×1.5;等离子切割枪 | IJWU6569 | | Plasma cutting torch LT151/12m 1/4G;等离子切割枪/LT151/12m 1/4G |
| IJWU6560 | PA1554 | Plasma cutting torch LT150/6m M14×1;等离子切割枪 | IJWU6566 | | Plasma cutting torch LT151/12m central adaptor;等离子切割枪/中央插头 |

MACHINE TORCH

| Code | Ref. | Description | Code | Ref. | Description |
|----------|--------|---|----------|------|--|
| IJWU0760 | | Plasma cutting auto torch LTM151/6m 1/4G;等离子自动切割枪 | IJWU0766 | | Plasma cutting auto torch LTM151/12m 1/4G;等离子自动切割枪 |
| IJWU0762 | | Plasma cutting auto torch LTM151/6m 3/8G;等离子自动切割枪 | IJWU0763 | | Plasma cutting auto torch LTM151/12m 3/8G;等离子自动切割枪 |
| IJWU0683 | PA0127 | Plasma cutting auto torch LTM151/6m M14×1;等离子自动切割枪 | IJWU0684 | | Plasma cutting auto torch LTM151/12m M14×1;等离子自动切割枪 |
| IJWU0764 | | Plasma cutting auto torch LTM151/6m M16×1.5;等离子自动切割枪 | IJWU0765 | | Plasma cutting auto torch LTM151/12m M16×1.5;等离子自动切割枪 |
| IJWU0768 | | Plasma cutting auto torch LTM151/6m central adaptor;自动割枪/中央插头 | IJWU0769 | | Plasma cutting auto torch LTM151/12m central adaptor;自动割枪/中央插头 |

| Position | Code | Ref. | Description |
|----------|-----------------|-----------|--|
| 1 | IJTN0060 | | Gouging spacer/LT151;弧口凿支架LT151 |
| 2 | IJTN0005 | | Spacer spring for IJTN0004;隔离环/配合IJTN0004 |
| 3 | IJTN0004 | | Spring holder protection nut;隔离环固定保护螺母 |
| 4 | IJWT0697 | PC0131 | Outside nozzle LT141-151;外喷嘴LT141-151 |
| 5 | IJTN6616 | CV1105 | Spacer/LT151;隔离环/LT151 |
| 6 | IJK0695 | | Nozzle shield/LT151;外喷嘴保护帽/LT151 |
| 7 | IJWT0681 | PC0120 | Outside nozzle.LT151;外喷嘴/LT151 |
| 8 | | | Tip;喷嘴 |
| 8.1 | IJWV0615-14 | PD0109-14 | Tip ϕ 1.4mm/LT151;喷嘴 ϕ 1.4mm/LT151 |
| 8.2 | IJWV0615-16 | PD0109-16 | Tip ϕ 1.6mm/LT151;喷嘴 ϕ 1.6mm/LT151 |
| 8.3 | IJWV0615-18 | PD0109-18 | Tip ϕ 1.8mm/LT151;喷嘴 ϕ 1.8mm/LT151 |
| 8.4 | IJWV0615-30 | PD0109-30 | Tip ϕ 3.0mm/LT151;喷嘴 ϕ 3.0mm/LT151 |
| 9 | IJWG0619 | PE0103 | Diffuser LT151;分流器LT151 |
| 10 | IJWC0677 | PR0111 | Electrode Plasma LT151;等离子电极LT151 |
| 11 | IJA00779 | | Airtube/LT141-151;导流管LT141-151 |
| 12 | IJTN0000 | | Locking nut;锁紧螺母 |
| 13 | IJTN0014 | CV0008 | Contact cutting attachment/LT100-151;接触切割保护帽LT100-151 |
| 14 | IJTN0015 | CV0009 | Long contact cutting attachment/LT100-151;长接触切割保护帽LT100-151 |
| 15 | | | Tip;喷嘴 |
| 15.1 | IJWV0673-14 | PD0117-14 | Extended tip ϕ 1.4mm/LT101-151;加长喷嘴 ϕ 1.4mm/LT101-151 |
| 15.2 | IJWV0673-17 | PD0117-17 | Extended tip ϕ 1.7mm/LT101-151;加长喷嘴 ϕ 1.7mm/LT101-151 |
| 15.3 | IJWV0673-19 | PD0117-19 | Extended tip ϕ 1.9mm/LT101-151;加长喷嘴 ϕ 1.9mm/LT101-151 |
| 15.4 | IJWV0677 | PD0111 | Extended tip 50A/LT101-151;加长喷嘴50A/LT101-151 |
| 16 | IJWC0672 | PR0116 | Extended electrode Plasma LT101-151;加长等离子电极LT101-151 |
| 17 | IJWA0621 | | Plasma torch head LT151;等离子枪头LTM151 |
| 17a | IJGU0697 | EA0131 | "O"ring ϕ 18.77x1.78mm in silicon;O型圈 ϕ 18.77x1.78mm/硅胶 |
| 17b | IJWG9018 | | Frontin sulator/LT141-151;枪颈前端绝缘圈LT141-151 |
| 18 | IJHW0046 | | Plasma hand lemanual/A Series/Red;等离子手工手柄/A系列/红色 |
| 19 | IJK0733 | | Protection part/Plasma/Yellow;开关保护档片/等离子用/黄色 |
| 20 | IJIR0081 | 185.0031 | Trigger;开关 |
| 21 | IJK0805 | | Joint/big/new type;球节套件/大/新式 |
| 22 | | | Cable assembly;电缆组 |
| 22.1 | IJW000316071-00 | | Cable assembly/LT141-151/16MQ/6M center adaptor;电缆组/LT141-151/16MMQ/6M中央插头 |
| 22.2 | IJW000316077-00 | | Cable assembly/LT141-151/16MQ/6M ATT.1/8G;电缆组/LT141-151/16MMQ/6MATT.1/8G |
| 22.3 | IJW010316071-00 | | Cable assembly/LTM141-151/16MQ/6M center adaptor;电缆组/LTM141-151/16MMQ/6M中央插头 |
| 22.4 | IJW010316077-00 | | Cable assembly/LTM141-151/16MQ/6M ATT.1/8G;电缆组/LTM141-151/16MMQ/6MATT.1/8G |
| 22.5 | IJW00600 | | Cable assembly/LT141-151/6M central adaptor;电缆组/LT141-151/6m/中央插头 |
| 23 | IJDH6017 | | Spanner for Plasma;等离子枪扳手 |
| 24 | IJWA0677 | PF0111 | Plasma torch head LTM150;等离子枪头LTM151 |
| 24a | IJHW0024 | | Fiber glass position tube/LTM;自动枪手柄LTM |
| 25 | | | Cable assembly LTM;电缆组LTM |
| 25.1 | IJAU5698 | | Connecting adaptor 1/8G-1/4G;转换接头1/8G-1/4G |
| 25.2 | IJAU5697 | | Connecting adaptor 1/8G-3/8G;转换接头1/8G-3/8G |
| 25.3 | IJAU5699 | | Connecting adaptor 1/8G-M14×1;转换接头1/8G-M14×1 |
| 25.4 | IJAU5690 | | Connecting adaptor 1/8G-M16×1.5;转换接头1/8G-M16×1.5 |
| 26 | IJAY0089 | FY0023 | Central adaptor torch side Plasma Spins;等离子中央插头/5针 |
| 27 | IJTN0088 | CV0022 | Circle cutting attachment/LT100-151;圆周切割附件LT100-151 |



Technical Data

Current: 80 Amp
 Duty Cycle: 60%
 Gas: AIR
 Gas Pressure: 4.5-5.0 Bar
 Gas Flow: 220LPM
 Ignition: HF
 Post Flow: 100 sec. recommended
 Standard Length: 5M

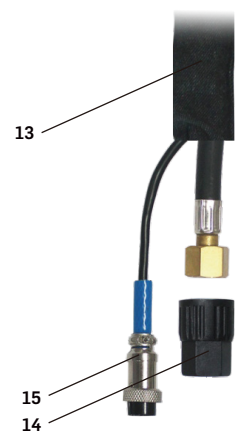
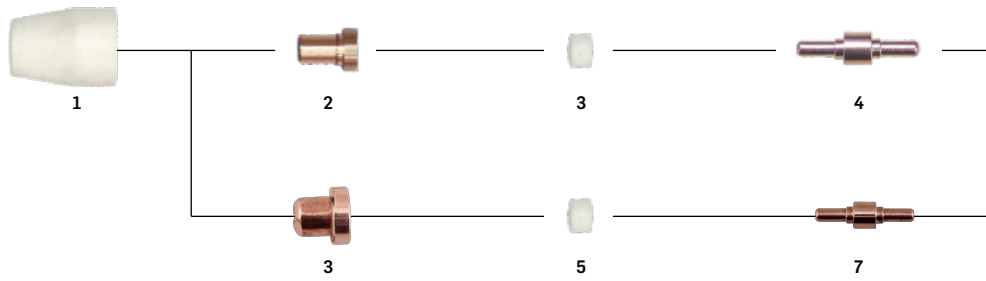
技术参数

额定电流: 80 Amp
 占载率: 60%
 气体: 空气
 电极尺寸: 4.5-5.0 Bar
 气流量: 220LPM
 引弧方式: 高频
 气体延时: 推荐100秒
 标准长度: 5M

HAND TORCH

| Code | Ref. | Description |
|----------|------|--|
| IJWU0658 | | Plasma cutting torch/p80/10mmq/5m center adaptor;等离子切割枪/p80/10mmq/5m中央插头 |
| IJWU0657 | | Plasma cutting torch/p80/10mmq/5m 3/8G;等离子切割枪/p80/10mmq/5m 3/8G |
| IJWU0996 | | Plasma cutting torch/p80/10mmq/5m M16x1.5;等离子切割枪/p80/10mmq/5m M16x1.5 |
| IJWU0992 | | Plasma cutting torch/p80/10mmq/5m 1/4G;等离子切割枪/p80/10mmq/5m 1/4G |
| IJWU0993 | | Plasma cutting torch/p80/10mmq/5m M14x1.5;等离子切割枪/p80/10mmq/5m M14x1.5 |
| IJWU8111 | | Plasma cutting torch/p80/16mmq/5m M16x1.5;等离子切割枪/p80/16mmq/5m M16x1.5 |
| IJWU8112 | | Plasma cutting torch/p80/16mmq/5m M14x1.5;等离子切割枪/p80/16mmq/5m M14x1.5 |
| IJWU8113 | | Plasma cutting torch/p80/14mmq/5m M16x1.5;等离子切割枪/p80/14mmq/5m M16x1.5 |
| IJWU8114 | | Plasma cutting torch/p80/12mmq/5m M16x1.5;等离子切割枪/p80/12mmq/5m M16x1.5 |

| Position | Code | Ref. | Description |
|----------|-----------------|----------|---|
| 1 | IJTN0710 | | Isolated wheel/p80;隔离滚轮/p80 |
| 2 | IJWU0024 | TGN02004 | Ceramic outside nozzle/p80;陶瓷外喷嘴/p80 |
| 3 | | | Tip;喷嘴 |
| 3.1 | IJWV0040-10 | TET01110 | Tip ϕ 1.0mm P80;电极喷嘴 ϕ 1.0mm/p80 |
| 3.2 | IJWV0040-13 | TET01130 | Tip ϕ 1.0mm P80;电极喷嘴 ϕ 1.3mm/p80 |
| 3.3 | IJWV0040-15 | TET01512 | Tip ϕ 1.0mm P80;电极喷嘴 ϕ 1.5mm/p80 |
| 4 | IJWC0031 | TET02033 | Electorde/p80;电极/p80 |
| 5 | IJWA0004 | TKU08103 | Plasma torch head p80/light;等离子枪头/p80/轻型 |
| 6 | IJHW0046 | | Plasma handle manuale/aseires/red;等离子手工手柄/a系列/红色 |
| 7 | IJK0733 | | Protection Part/plasma/yellow;开关保护档片/等离子用/黄色 |
| 8 | IJIR0081 | | Trigger;开关 |
| 9 | IJK0804 | | Joint/small/newtype;球节套件/小/新式 |
| 10 | | | Cable assembly;电缆组 |
| 10.1 | IJWO0810061-00 | | Cable assembly/p80/10mmq/5m center adaptor;电缆组/p80/10mmq/5m中央插头 |
| 10.2 | IJWO0810062-00 | | Cable assembly/p80/10mmq/5matt.1/4G;电缆组/p80/10mmq/5matt.1/4G |
| 10.3 | IJWO0810063-00 | | Cable assembly/p80/10mmq/5matt.3/8G;电缆组/p80/10mmq/5matt.3/8G |
| 10.4 | IJWO0810064-00 | | Cable assembly/p80/10mmq/5m M14*1;电缆组/p80/10mmq/5m M14*1 |
| 10.5 | IJWO0810065-00 | | Cable assembly/p80/10mmq/5m M14*1,5;电缆组/p80/10mmq/5m M14*1,5 |
| 10.6 | IJWO0810066-00 | | Cable assembly/p80/10mmq/5m M16*1,5;电缆组/p80/10mmq/5m M16*1,5 |
| 10.7 | IJWO10810061-00 | | Cable assembly/pp80/10mmq/5m center adaptor;电缆组/pp80/10mmq/5m中央插头 |
| 10.8 | IJWO10810062-00 | | Cable assembly/pp80/10mmq/5matt.1/4g;电缆组/pp80/10mmq/5matt.1/4g |
| 10.9 | IJWO10810063-00 | | Cable assembly/pp80/10mmq/5matt.3/8g;电缆组/pp80/10mmq/5matt.3/8g |
| 10.10 | IJWO10810064-00 | | Cable assembly/pp80/10mmq/5m M14*1,5;电缆组/pp80/10mmq/5m M14*1,5 |
| 10.11 | IJWO10810065-00 | | Cable assembly/pp80/10mmq/5m M14*1,5;电缆组/pp80/10mmq/5m M14*1,5 |
| 10.12 | IJWO10810066-00 | | Cable assembly/pp80/10mmq/5m M16*1,5;电缆组/pp80/10mmq/5m M16*1,5 |
| 11 | | | Connecting adaptor;转换接头 |
| 12 | IJDH6010 | | Spanner for p80;p80枪用扳手 |
| 13 | IJAY0089 | | Centre adaptor torchside plasma 5pins;等离子中央插头/5针 |

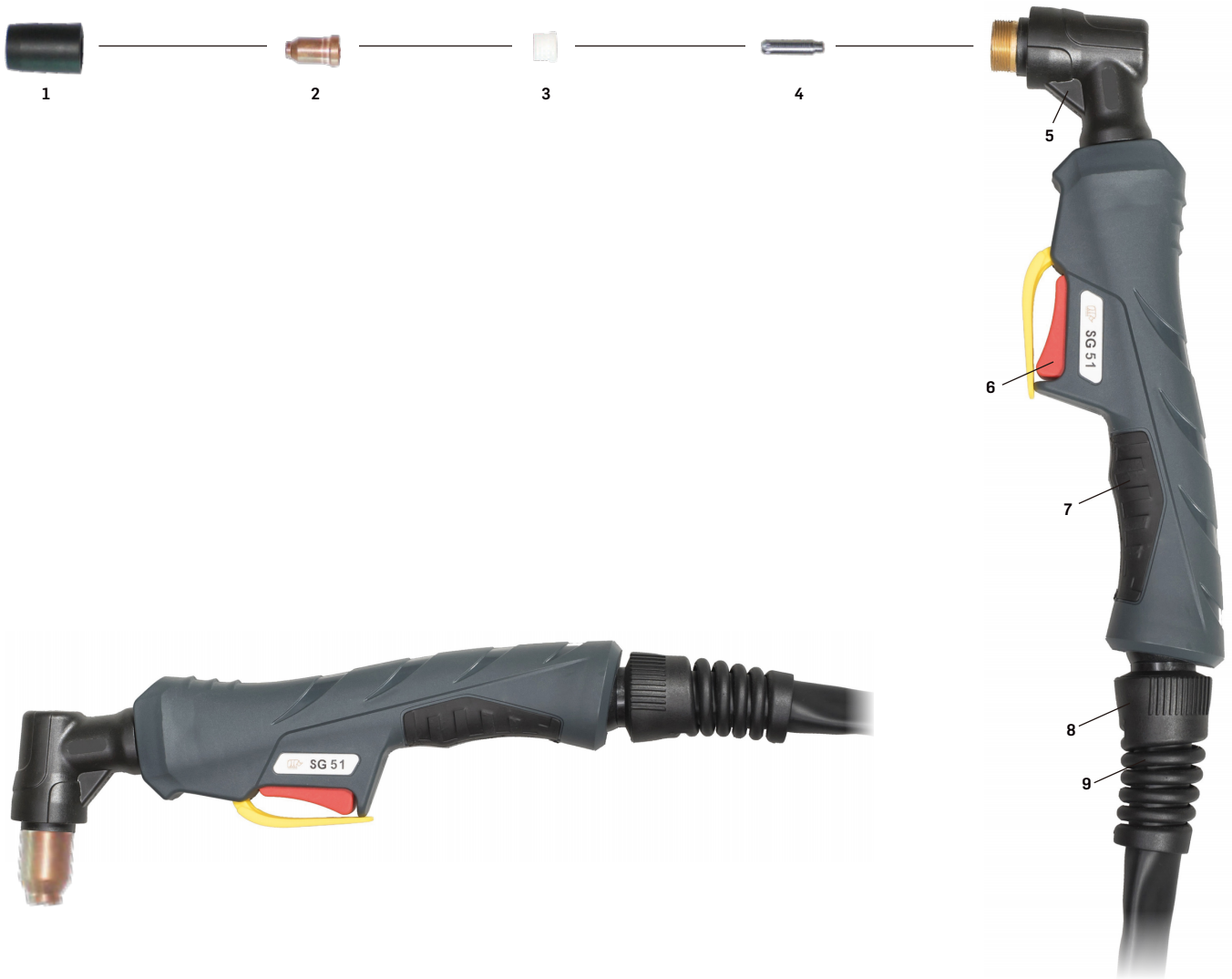


Technical Data

Current: 30 Amp
 Duty Cycle: 60%
 Gas: AIR
 Gas Pressure: 4.5-5.0 Bar
 Gas Flow: 150LPM
 Ignition: HF
 Post Flow: 40 sec. recommended
 Standard Length: 5M

技术参数

额定电流: 30 Amp
 占载率: 60%
 气体: 空气
 电极尺寸: 4.5-5.0 Bar
 气流量: 150LPM
 引弧方式: 高频
 气体延时: 推荐40秒
 标准长度: 5M

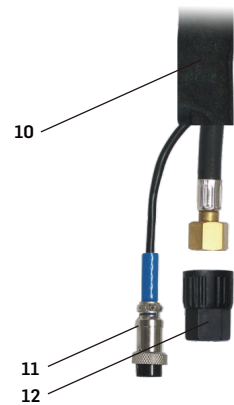


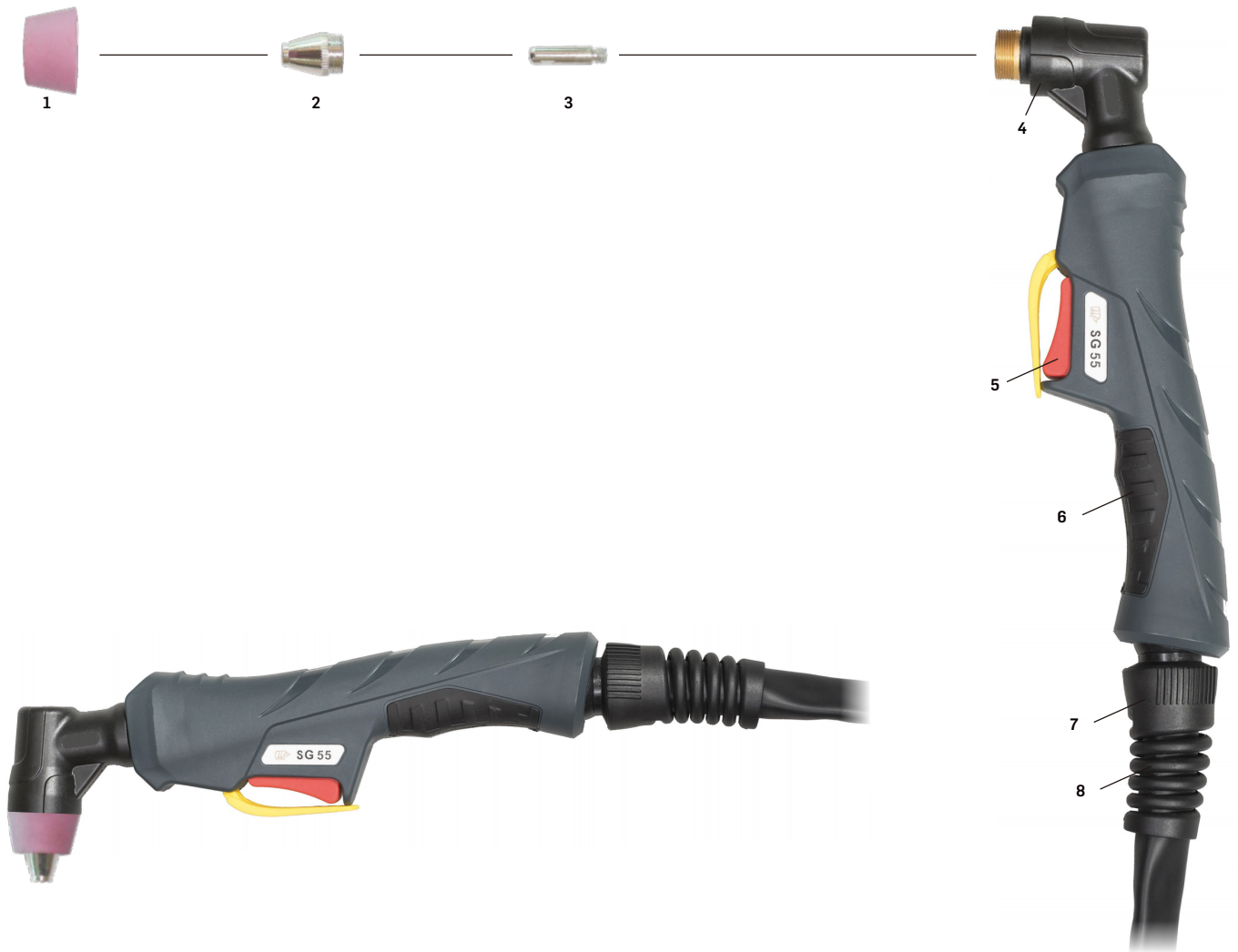
Technical Data

Current: 50 Amp
 Duty Cycle: 60%
 Gas: AIR
 Gas Pressure: 4.5-5.0 Bar
 Gas Flow: 155LPM
 Ignition: HF
 Post Flow: 40 sec. recommended
 Standard Length: 5M

技术参数

额定电流: 50 Amp
 占载率: 60%
 气体: 空气
 电极尺寸: 4.5-5.0 Bar
 气流量: 155LPM
 引弧方式: 高频
 气体延时: 推荐40秒
 标准长度: 5M



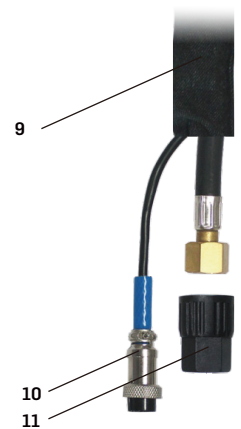


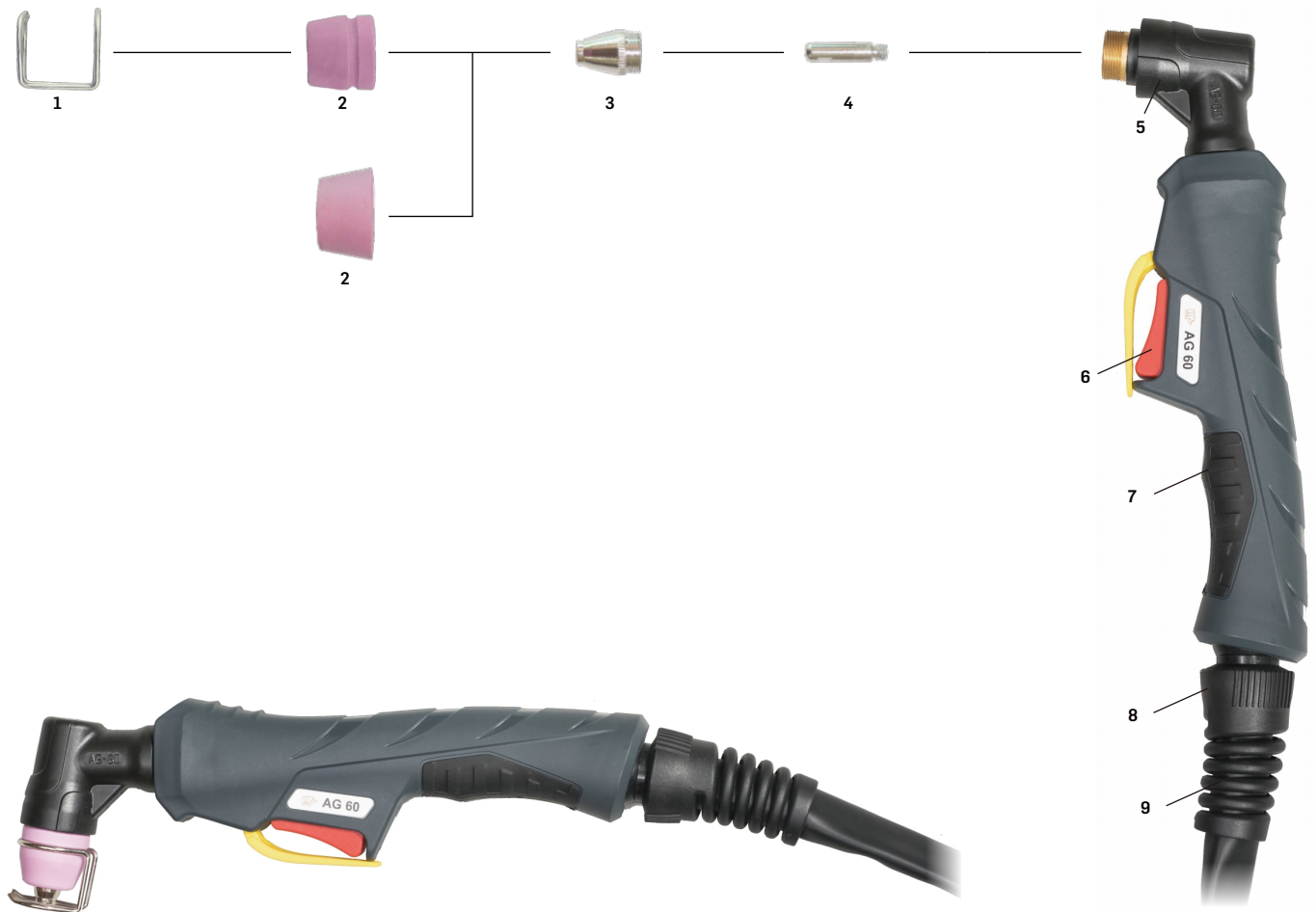
Technical Data

Current: 60 Amp
 Duty Cycle: 60%
 Gas: AIR
 Gas Pressure: 4.5-5.0 Bar
 Gas Flow: 160LPM
 Ignition: HF
 Post Flow: 40 sec. recommended
 Standard Length: 5M

技术参数

额定电流: 60 Amp
 占载率: 60%
 气体: 空气
 电极尺寸: 4.5-5.0 Bar
 气流量: 160LPM
 引弧方式: 高频
 气体延时: 推荐40秒
 标准长度: 5M



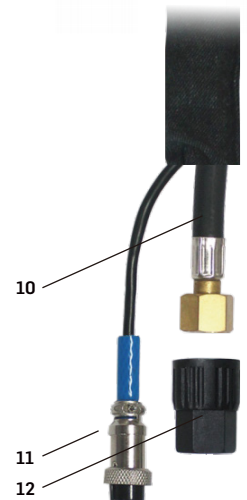


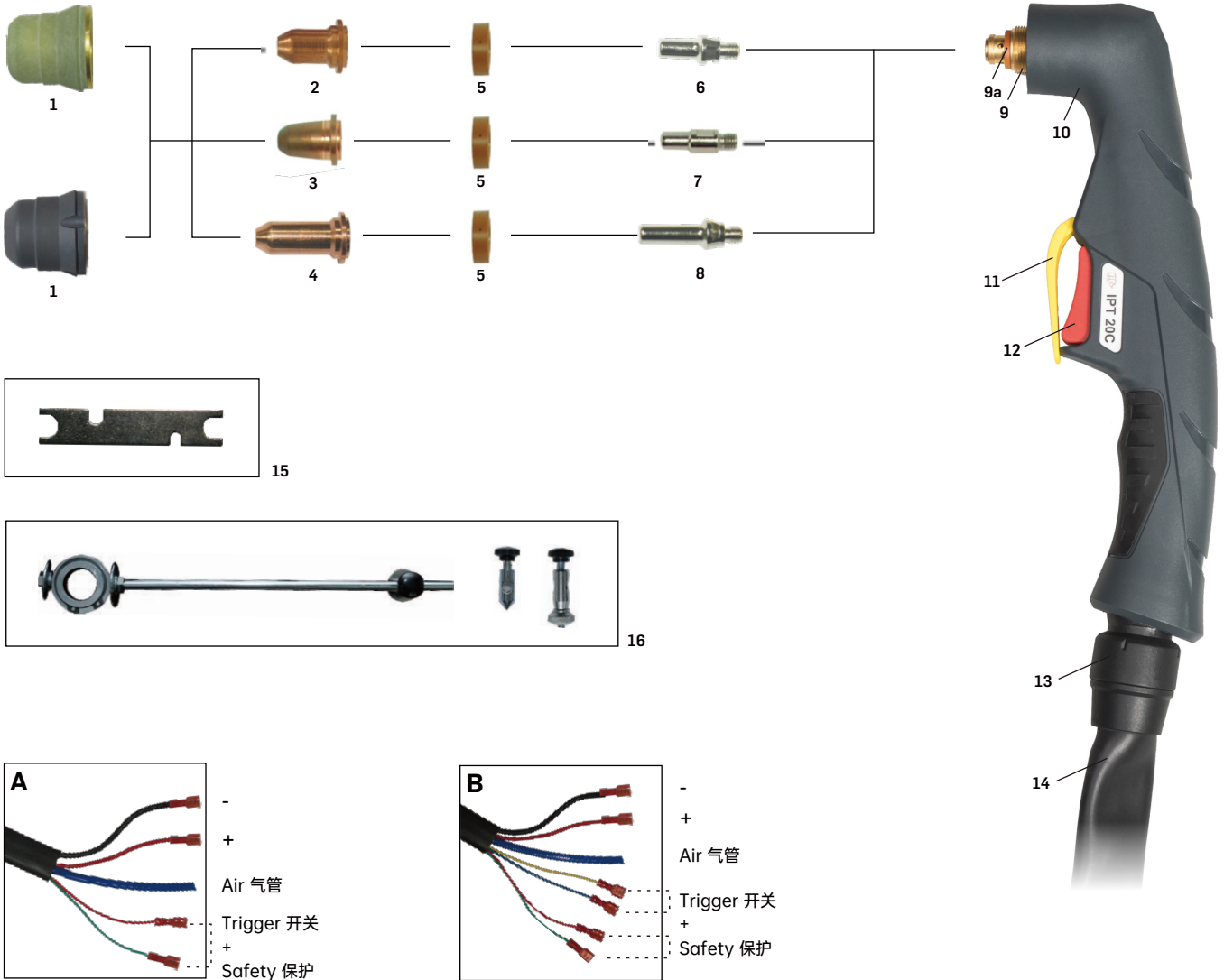
Technical Data

Current: 60 Amp
 Duty Cycle: 60%
 Gas: AIR
 Gas Pressure: 4.5-5.0 Bar
 Gas Flow: 160LPM
 Ignition: HF
 Post Flow: 40 sec. recommended
 Standard Length: 5M

技术参数

额定电流: 60 Amp
 占载率: 60%
 气体: 空气
 电极尺寸: 4.5-5.0 Bar
 气流量: 160LPM
 引弧方式: 高频
 气体延时: 推荐40秒
 标准长度: 5M



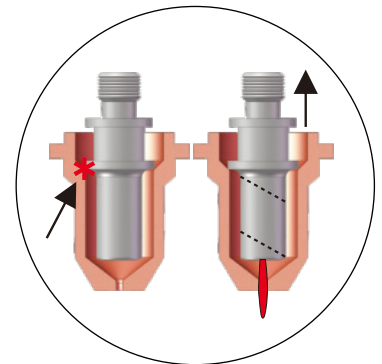


Technical Data

Current: 20 Amp
 Duty Cycle: 35%
 Gas: AIR/N₂
 Gas Pressure: 2 Bar
 Gas Flow: 30LPM
 Ignition: Without HF
 Post Flow: 15 sec. recommended
 Standard Length: 4M

技术参数

额定电流: 20 Amp
 占载率: 35%
 气体: 空气/氮气
 电极尺寸: 2 Bar
 气流量: 30LPM
 引弧方式: 非高频
 气体延时: 推荐15秒
 标准长度: 4M

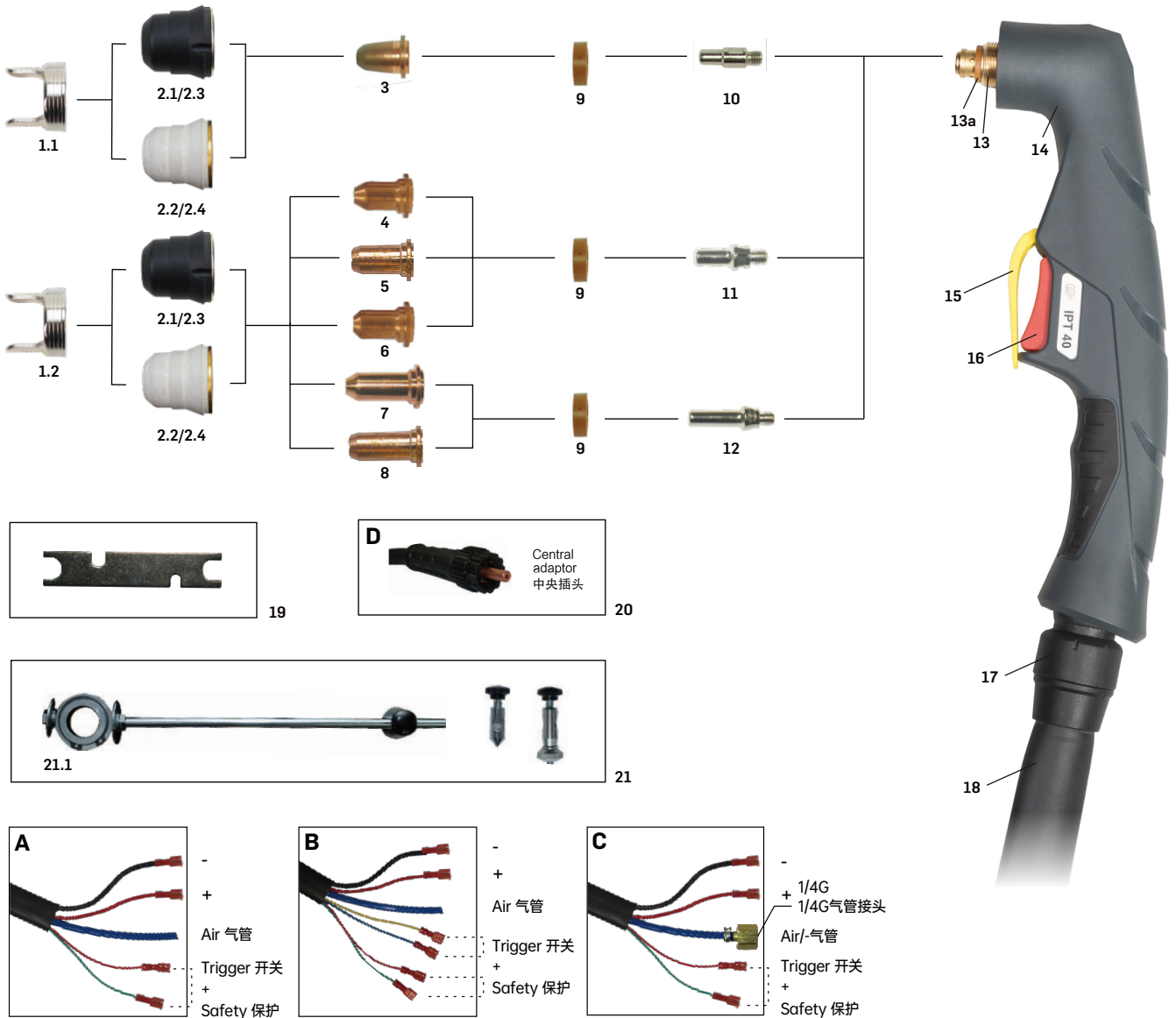


HAND TORCH

Reminder:the no.16 part cannot be used for the back striking torch.注:后引弧割枪无法使用16号配件

| | Code | Ref. | Description |
|---|---------------|------|---|
| A | IJWU02011 | | Plasma torch IPT20C / 4M / Direct / 2 wires;等离子切割枪/IPT20C 4M/直接连接/两芯 |
| A | IJWU02011-00 | | Plasma torch IPT20C / 4M / Direct / 2 wires / Back Striking;等离子切割枪/IPT20C 4M/直接连接/两芯控制线/后引弧 |
| B | IJWU020011 | | Plasma torch IPT20C / 4M / Direct / 4 wires;等离子切割枪/IPT20C 4M/直接连接/四芯控制线 |
| B | IJWU020011-00 | | Plasma torch IPT20C / 4M / Direct / 4 wires / Back Striking;等离子切割枪/IPT20C 4M/直接连接/四芯控制线/后引弧 |

| Position | Code | Ref. | Description |
|--|-----------------|-----------|--|
| (带"●"为标准配置 / With "●" is the standard configuration) | | | |
| 1 | | | Outside nozzle;外喷嘴 |
| 1.1● | IJWT0673-03 | 60389K | Outside nozzle IPT20C 2 holes /bakelite; 外喷嘴 IPT20C 2孔 /胶木 |
| 1.2 | IJWT1673-05 | | Outside nozzle IPT20C 2 holes /gray glass fiber; 外喷嘴 IPT20C 2孔/灰色玻纤 |
| 2 | | | Tip;喷嘴 |
| 2.1● | IJWV0672-06 | PD0116-06 | Tip Φ 0.6mm/10-20A IPT20C;电极喷嘴 Φ 0.6mm/10-20A IPT20C |
| 2.2 | IJWV0672-08 | PD0116-08 | Tip Φ 0.8mm/20-30A IPT20C;电极喷嘴 Φ 0.8mm/20-30A IPT20C |
| 3 | | | Tip;喷嘴 |
| 3.1 | IJWV1671-06 | 51318.06 | Tip Φ 0.6mm/10-20A IPT20C/Back Striking;电极喷嘴 Φ 0.6mm/10-20A IPT20C/后引弧 |
| 3.2 | IJWV1671-08 | 51318.08 | Tip Φ 0.8mm/20-30A IPT20C/Back Striking;电极喷嘴 Φ 0.8mm/20-30A IPT20C/后引弧 |
| 4 | | | Extended tip;加长喷嘴 |
| 4.1 | IJWV1610-06 | 51318L.06 | Extended tip Φ 0.6mm/10-20A IPT20C/Back Striking;加长电极喷嘴/ Φ 0.6mm/10-20A IPT20C/后引弧 |
| 4.2 | IJWV1610-08 | 51318L.08 | Extended tip Φ 0.8mm/20-30A IPT20C/Back Striking;加长电极喷嘴/ Φ 0.8mm/20-30A IPT20C/后引弧 |
| 5● | IJWG1612 | 60028 | Diffuser IPT20C-60;分流器IPT20C-60 |
| 6● | IJWC0671 | PR0110 | Electrode/IPT20C-60;等离子电极IPT20C-60 |
| 7 | IJWC1059 | 52582 | Electrode/IPT20C-60/Back Striking;等离子电极 IPT20C-60/后引弧 |
| 8 | IJWC1050 | 52583 | Extended electrode/IPT20C-60/Back Striking;加长等离子电极/IPT20C-60/后引弧 |
| 9 | IJWA0087 | | IPX-45/60 HAND TORCH HEAD;IPX-45/60手动等离子枪头 |
| 9a | IJGU0710 | 51620.60 | "O"ring Φ 18x15mm;O型圈 Φ 18x15mm |
| 10 | IJHW0049-01 | | PLASMA handle manual/IPT20-60/IPX torch head;等离子手工手柄/IPT20-60/适用于IPX枪头 |
| 11 | IJK0733 | | Protection part/Plasma/Yellow;开关保护档片/等离子用/黄色 |
| 12 | IJIR0081 | 07301.20 | Trigger;开关 |
| 13 | IJK0809 | | Joint/small/new type;球节套件/小/新式 |
| 14 | | | Cable assembly;电缆组 |
| 14.1 | IJWO00902053-22 | | Cable assembly/IPT20C-25/4M/2 wires/IPX torch head/Direct;电缆组/4M/两芯控制线/IPX枪头/直接连接 |
| 14.2 | IJWO00902055-22 | | Cable assembly/IPT20C-25/4M/2 wires/IPX torch head/Direct;电缆组/4M/四芯控制线/IPX枪头/直接连接 |
| 15 | IJDH6017 | | Spanner for Plasma;等离子枪扳手 |
| 16 | IJTN0718 | | Circle cutting attachment;圆周切割附件 |
| 16.1 | IJTN0684 | | Roller stand IPT20C-60 / with spanner;滚轮支架 IPT20C-60/带扳手 |

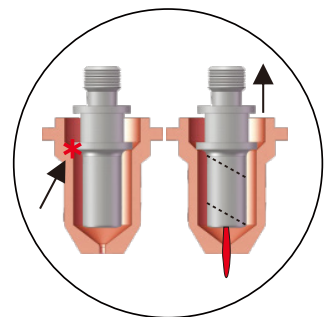


Technical Data

Current: 40 Amp
 Duty Cycle: 60%
 Gas: Air/N₂
 Gas Pressure: 4.5-5.0 Bar
 Gas Flow: 120-130LPM
 Ignition: Without Hf
 Post Flow: 35 Sec. Recommended
 Standard Length: 4M

技术参数

额定电流: 40 Amp
 占载率: 60%
 气体: 空气/氮气
 电极尺寸: 4.5-5.0 Bar
 气流量: 120-130LPM
 引弧方式: 非高频
 气体延时: 推荐35秒
 标准长度: 4M



Complete Torch

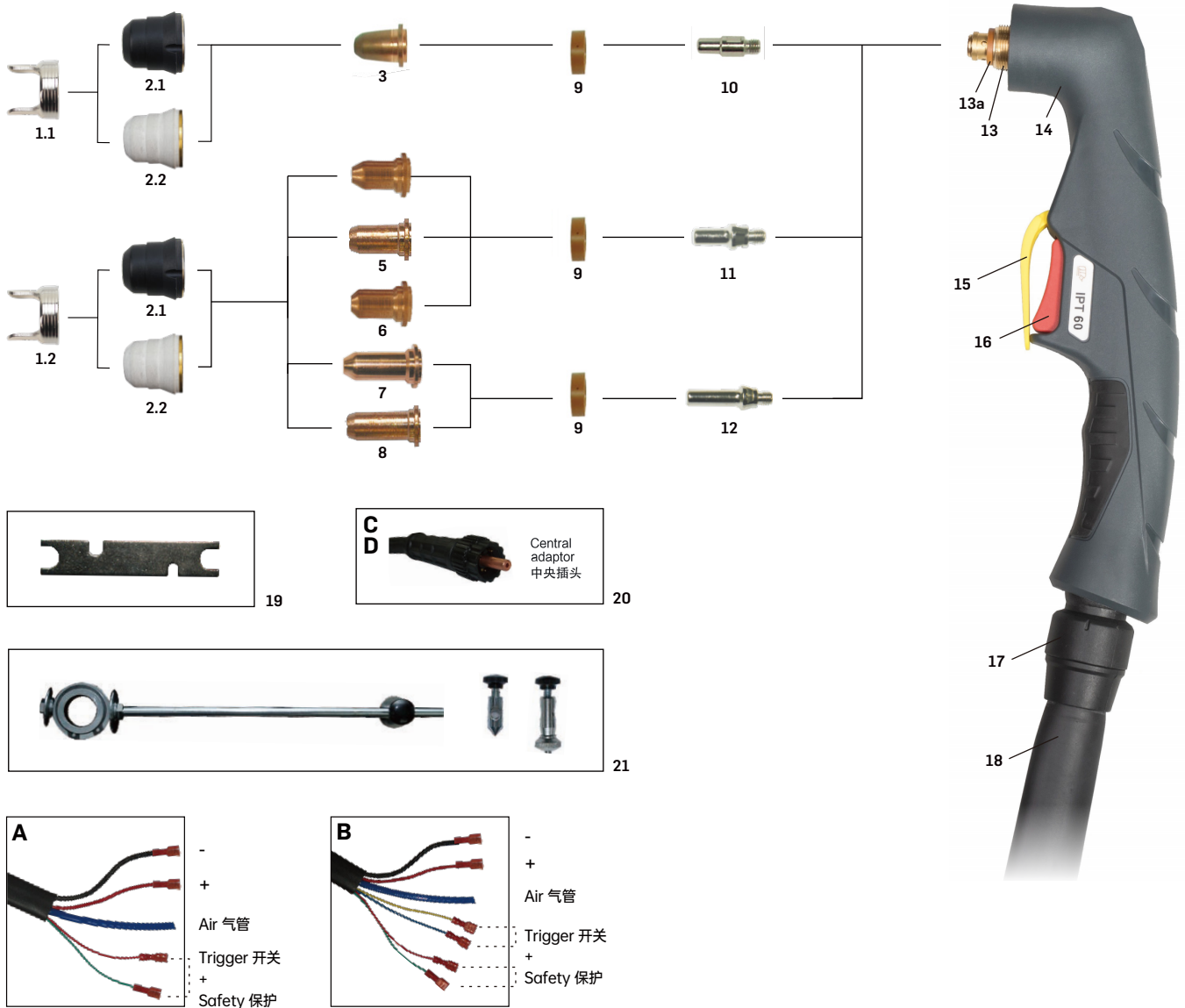
Reminder:the no.21 part cannot be used for the back striking torch.注:后引弧割枪无法使用21号配件

| Code | Ref. | Description | Code | Ref. | Description |
|------|--------------|---|------|---------------|--|
| A | IJWU02041 | Plasma torch IPT40/4m/direct/2 wires 等离子切割枪 IPT40/4m/直接连接/2芯 | D | IJWU02044 | Plasma torch IPT40/4m/central adaptor/2 wires 等离子切割枪/IPT40/4m/中央插头/2芯 |
| A | IJWU02041-00 | Plasma torch IPT40/4m/direct/2 wires/back striking 等离子切割枪/IPT40/4m/直接连接/2芯/后引弧 | D | IJWU02044-00 | Plasma torch IPT40/4m/central adaptor/2 wires/back striking 等离子切割枪/IPT40/4m/中央插头/2芯/后引弧 |
| B | IJWU02042 | Plasma torch IPT40/4m 1/4G / 2 wires 等离子切割枪/IPT40/4M 1/4G/气电一体/2芯 | E | IJWU020311 | Plasma torch IPT40/4m/direct/4 wires 等离子切割枪/IPT40 4m/直接连接/4芯 |
| B | IJWU02042-00 | Plasma torch IPT40/4m 1/4G/integrated/2 wires/back striking 等离子切割枪/IPT40 4M 1/4G/气电一体/2芯/后引弧 | E | IJWU020311-00 | Plasma torch IPT40/4m/direct/4 wires/back striking 等离子切割枪/IPT40 4m/直接连接/4芯/后引弧 |
| C | IJWU02043 | Plasma torch IPT40/4m 1/4G/separate/2 wires 等离子切割枪/IPT40 4m 1/4G/气电分体/2芯 | F | IJWU020341 | Plasma torch IPT40/4m/central adaptor/4 wires 等离子切割枪/IPT40/4m/中央插头/4芯 |
| C | IJWU02043-00 | Plasma torch IPT40/4m 1/4G/separate/2 wires/back striking 等离子切割枪/IPT40/4m 1/4G/气电分体/2芯/后引弧 | F | IJWU020341-00 | Plasma torch IPT40/4m/central adaptor/4 wires/back striking 等离子切割枪/IPT40/4m/中央插头/4芯/后引弧 |

| Position | Code | Ref. | Description |
|--|-----------------|-----------|--|
| (带“●”为标准配置 / With “●” is the standard configuration) | | | |
| 1 | | | Double pointed spacer;两点支架 |
| 1.1● | IJTN0009-01 | | Double pointed spacer/IPT40;两点支架 PT40 |
| 1.2 | IJTN0009 | 60432 | Double pointed spacer/IPT40/back striking;两点支架/PT40/后引弧 |
| 2 | | | Outside nozzle;外喷嘴 |
| 2.1● | IJWT0672-03 | 60389 | Outside nozzle 6holes IPT40/bakelite;外喷嘴 6孔 IPT40/胶木 |
| 2.2 | IJWT1672-05 | | Outside nozzle 6holes IPT40/Gray Glass finer;外喷嘴 6孔 IPT40/灰色玻纤 |
| 2.3 | IJWT0696-03 | 60389K4 | Outside nozzle 4holes IPT40/moulded;外喷嘴 4孔 IPT40/模压 |
| 2.4 | IJWT1696-05 | | Outside nozzle 4holes IPT40/Gray Glass finer;外喷嘴 4孔 IPT40/灰色玻纤 |
| 3 | | | Tip;喷嘴 |
| 3.1 | IJVV0672-06 | PD0116-06 | Tip ϕ 0.6mm/10-20A IPT40;电极喷嘴 ϕ 0.6mm/10-20A IPT40 |
| 3.2 | IJVV0672-08 | PD0116-08 | Tip ϕ 0.8mm/20-30A IPT40;电极喷嘴 ϕ 0.8mm/20-30A IPT40 |
| 3.3● | IJVV0672-09 | PD0116-09 | Tip ϕ 0.9mm/30-40A IPT40;电极喷嘴 ϕ 0.9mm/30-40A IPT40 |
| 4 | | | Tip;喷嘴 |
| 4.1 | IJVV1671-06 | 51318.06 | Tip ϕ 0.6mm/10-20A IPT40/back striking;电极喷嘴 ϕ 0.6mm/10-20A IPT40/后引弧 |
| 4.2 | IJVV1671-08 | 51318.08 | Tip ϕ 0.8mm/20-30A IPT40/back striking;电极喷嘴 ϕ 0.8mm/20-30A IPT40/后引弧 |
| 4.3 | IJVV1671-09 | 51318.09 | Tip ϕ 0.9mm/30-40A IPT40/back striking;电极喷嘴 ϕ 0.9mm/30-40A IPT40/后引弧 |
| 4.4 | IJVV1671-10 | | Tip ϕ 1.0mm/40-50A IPT40/back striking;电极喷嘴 ϕ 1.0mm/40-50A IPT40/后引弧 |
| 5 | IJVV1678-09 | 513129.09 | Tip ϕ 0.9mm/30-40A IPT40/Contact cutting/back striking;电极喷嘴 ϕ 0.9mm IPT40/接触切割/后引弧 |
| 6 | | | Tip;喷嘴 |
| 6.1 | IJVV1679-06 | | Flat tip ϕ 0.6mm/10-20A IPT40/back striking;平头电极喷嘴 ϕ 0.6mm/10-20A IPT40/后引弧 |
| 6.2 | IJVV1679-08 | | Flat tip ϕ 0.8mm/20-30A IPT40/back striking;平头电极喷嘴 ϕ 0.8mm/20-30A IPT40/后引弧 |
| 6.3 | IJVV1679-09 | 513139.09 | Flat tip ϕ 0.9mm/30-40A IPT40/back striking;平头电极喷嘴 ϕ 0.9mm/30-40A IPT40/后引弧 |
| 6.4 | IJVV1679-10 | 513139.10 | Flat tip ϕ 1.0mm/40-50A IPT40/back striking;平头电极喷嘴 ϕ 1.0mm/40-50A IPT40/后引弧 |
| 7 | | | Tip;喷嘴 |
| 7.1 | IJVV1610-06 | 51318L.06 | Extended tip ϕ 0.6mm/10-20A IPT40/back striking;加长电极喷嘴 ϕ 0.6mm/10-20A IPT40/后引弧 |
| 7.2 | IJVV1610-08 | 51318L.08 | Extended tip ϕ 0.8mm/20-30A IPT40/back striking;加长电极喷嘴 ϕ 0.8mm/20-30A IPT40/后引弧 |
| 8 | | | Tip;喷嘴 |
| 8.1 | IJVV1614-09 | 51314.09 | Extended tip ϕ 0.9mm/30-40A IPT40/Contact cutting/back striking;加长电极喷嘴 ϕ 0.9mm/30-40A IPT40/接触切割/后引弧 |
| 8.2 | IJVV1614-10 | | Extended tip ϕ 1.0mm/40-50A IPT40/Contact cutting/back striking;加长电极喷嘴 ϕ 1.0mm/40-50A IPT40/接触切割/后引弧 |
| 9● | IJWG1612 | 60028 | Diffuser IPT20C-IPT60;分流器 IPT20C-IPT60 |
| 10● | IJWC0671 | PR0110 | Electrode IPT20C-60;等离子电极 IPT20C-IPT60 |
| 11 | IJWC1059 | 52582 | Electrode IPT20C-60/back striking;等离子电极 IPT20C-60/后引弧 |
| 12 | IJWC1050 | 52583 | Electrode IPT20C-60/back striking;加长等离子电极 IPT20C-60/后引弧 |
| 13 | IJWA0087 | | IPX-45/60 hand torch head;IPX-45/60手动等离子枪头 |
| 13a | IJGU0710 | 51620.60 | "O"ring ϕ 15X ϕ 18 IPT20-80 RED SIL;O型圈 ϕ 15X ϕ 18 IPT20-80 红色硅胶 |
| 14 | IJHW0049-01 | | Plasma handle manual/IPT20-60/IPX torch head;等离子手工手柄/IPT20-60/适用于IPX枪头 |
| 15 | IJKO733 | | Protection part/Plasma/Yellow;开关保护档片/等离子用/黄色 |
| 16 | IJRO081 | 07301.20 | Trigger red;焊枪用开关 21.8MM 红色 |
| 17 | IJKO809 | | Plasma Joint/IPT20-60;等离子用球节套件/IPT20-60 |
| 18 | | | Cable assembly;电缆组 |
| 18.1 | IJWO01004051-22 | | Cable assembly/IPT40/4M/2 wires/Direct;电缆组/IPT40/4M/两芯/直接连接 |
| 18.2 | IJWO01004052-22 | | Cable assembly/IPT40/4M/2 wires/separate;电缆组/IPT40/4MMQ/4M/两芯/气电分体 |
| 18.3 | IJWO01004053-22 | | Cable assembly/IPT40/4M/2 wires/Centre adaptor;电缆组/IPT40/4MMQ/4M/四芯/中央插头 |
| 18.4 | IJWO01004054-22 | | Cable assembly/IPT40/4M/2 wires/integrated;电缆组/IPT40/4MMQ/4M/两芯/气电一体 |
| 18.5 | IJWO01004055-22 | | Cable assembly/IPT40/4M/4 wires/Direct;电缆组/IPT40/4MMQ/4M/四芯/直接连接 |
| 18.6 | IJWO01004057-22 | | Cable assembly/IPT40/4M/4 wires/Centre adaptor;电缆组/IPT40/4MMQ/4M/四芯/中央插头 |
| 19 | IJDH6017 | | Spanner for Plasma;等离子枪扳手 |
| 20 | IJAY0089 | | Central adaptor torch side Plasma 5 pins;等离子中央插头/5针 |
| 21 | IJTN0718 | | Circle cutting attachment;圆周切割附件 |
| 21.1 | IJTN0684 | | Roller stand IPT20C-60 / with spanner;滚轮支架 IPT20C-60/带扳手 |

Note: About the registered trade mark, reference number used are only for convenient research. We are no way affiliate with mentioned registered trade marks and brand.

注:关于在注册商标、机器及配件的参考编号的注解, 请见封面内页 (公司简介)

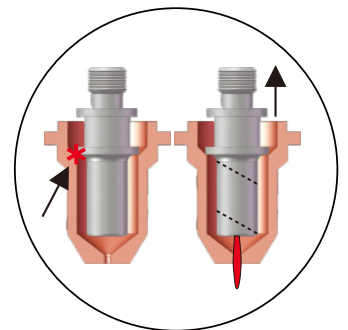


Technical Data

Current: 60 Amp
 Duty Cycle: 60%
 Gas: Air/N₂
 Gas Pressure: 4.5-5.0 Bar
 Gas Flow: 120-130LPM
 Ignition: Without Hf
 Post Flow: 55 Sec. Recommended
 Standard Length: 6m

技术参数

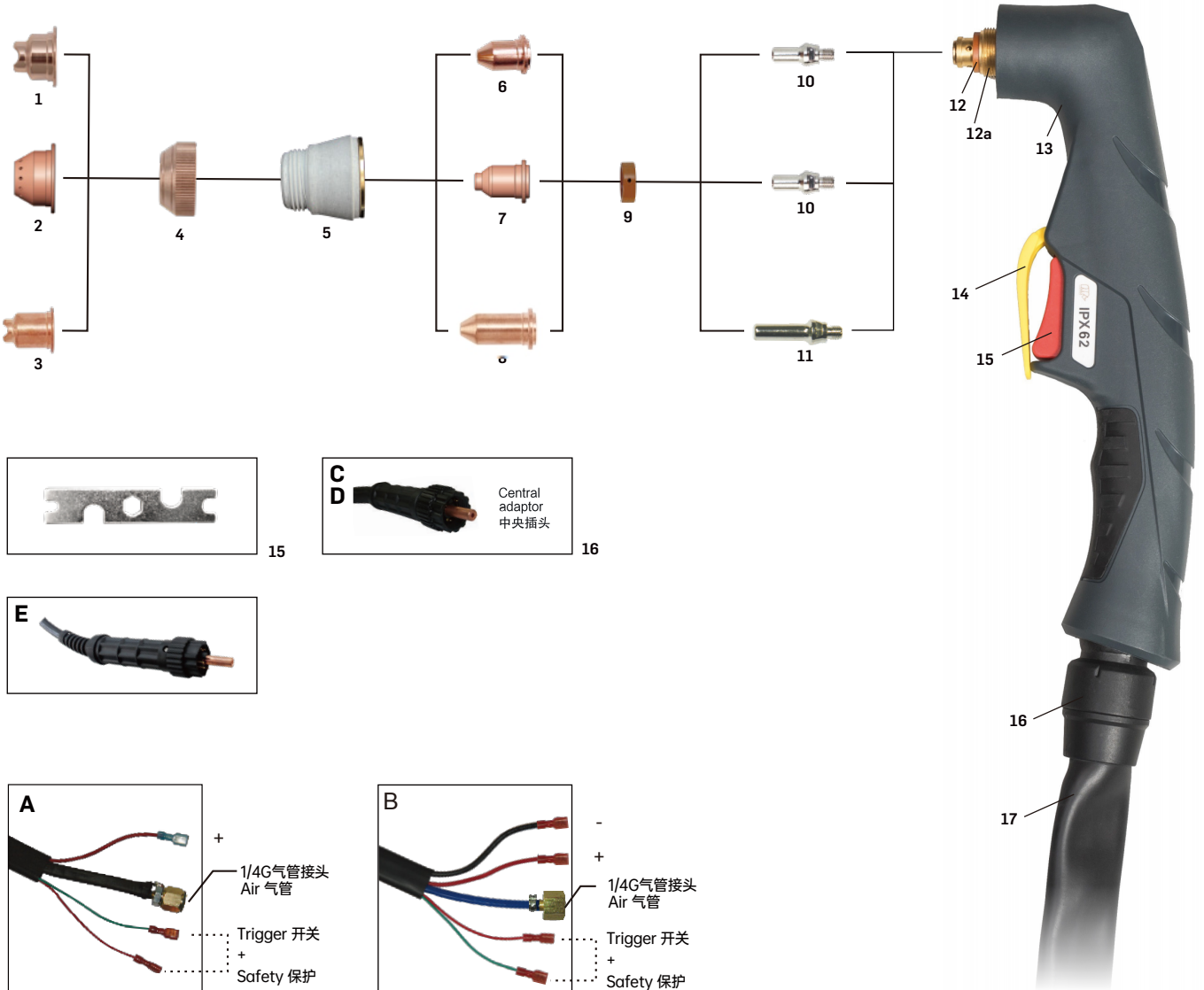
额定电流: 60 Amp
 占载率: 60%
 气体: 空气/氮气
 电极尺寸: 4.5-5.0 Bar
 气流量: 120-130LPM
 引弧方式: 非高频
 气体延时: 推荐55秒
 标准长度: 6M



Complete Torch Reminder:the no.21 part cannot be used for the back striking torch.注:后引弧割枪无法使用21号配件

| | Code | Ref. | Description |
|---|---------------|------|--|
| A | IJWU03052 | | Plasma torch IPT60/6M 1/4G/integrated/2 wries 等离子切割枪/IPT60/6M 1/4G/气电一体/2芯 |
| A | IJWU03052-00 | | Plasma torch IPT60/6M 1/4G/integrated/2 wries/back striking 等离子切割枪/IPT60/6M 1/4G/气电一体/2芯/后引弧 |
| B | IJWU03053 | | Plasma torch IPT60/6M 1/4G/separate/2 wries 等离子切割枪/IPT60/6M 1/4G/气电分体/2芯 |
| B | IJWU03053-00 | | Plasma torch IPT60/6M 1/4G/separate/2 wries/back striking 等离子切割枪/IPT60/6M 1/4G/气电分体/2芯/后引弧 |
| C | IJWU03054 | | Plasma torch IPT60/6M/central adaptor/2 wries 等离子切割枪/IPT60/6M 中央插头/2芯 |
| C | IJWU03054-00 | | Plasma torch IPT60/6M/central adaptor/2 wries/back striking 等离子切割枪/IPT60/6M/中央插头/2芯/后引弧 |
| D | IJWU030441 | | Plasma torch IPT60/6M/central adaptor/4 wries 等离子切割枪/IPT60/6M/中央插头/4芯 |
| D | IJWU030441-00 | | Plasma torch IPT60/6M/central adaptor/4 wries/back striking 等离子切割枪/IPT60/6M/中央插头/4芯/后引弧 |

| Position | Code | Ref. | Description |
|--|-----------------|-----------|--|
| (带"●"为标准配置 / With "●" is the standard configuration) | | | |
| 1 | | | Double pointed spacer;两点支架 |
| 1.1 | IJTN0009-01 | | Double pointed spacer/IPT60;两点支架 IPT60 |
| 1.2 | IJTN0009 | 60432 | Double pointed spacer/IPT60/backing striking;两点支架/IPT60/后引弧 |
| 2● | | | Outside nozzle;外喷嘴 |
| 2.1 | IJWT0672-03 | 60389 | Outside nozzle 6holes IPT60/bakelite;外喷嘴 6孔 IPT60/胶木 |
| 2.2● | IJWT1672-05 | | Outside nozzle 6holes IPT60/Gray Glass fiber;外喷嘴 6孔 IPT60/灰色玻纤 |
| 3 | | | Tip;喷嘴 |
| 3.1 | IJWV0672-06 | PD0116-06 | Tip ϕ 0.6mm/10-20A IPT60;电极喷嘴 ϕ 0.6mm/10-20A/IPT60 |
| 3.2 | IJWV0672-08 | PD0116-08 | Tip ϕ 0.8mm/20-30A IPT60;电极喷嘴 ϕ 0.8mm/20-30A/IPT60 |
| 3.3 | IJWV0672-09 | PD0116-09 | Tip ϕ 0.9mm/30-40A IPT60;电极喷嘴 ϕ 0.9mm/30-40A/IPT60 |
| 4 | | | Tip;喷嘴 |
| 4.1 | IJWV1671-06 | 51318.06 | Tip ϕ 0.6mm/10-20A IPT60/back striking;电极喷嘴 ϕ 0.6mm/10-20A IPT60/后引弧 |
| 4.2 | IJWV1671-08 | 51318.08 | Tip ϕ 0.8mm/20-30A IPT60/back striking;电极喷嘴 ϕ 0.8mm/20-30A IPT60/后引弧 |
| 4.3 | IJWV1671-09 | 51318.09 | Tip ϕ 0.9mm/30-40A IPT60/back striking;电极喷嘴 ϕ 0.9mm/30-40A IPT60/后引弧 |
| 4.4 | IJWV1671-10 | | Tip ϕ 1.0mm/40-50A IPT60/back striking;电极喷嘴 ϕ 1.0mm/40-50A IPT60/后引弧 |
| 5 | IJWV1678-09 | 51312P.09 | Tip ϕ 0.9mm/30-40A IPT60/Contact cutting/back striking;电极喷嘴 ϕ 0.9mm/30-40A IPT60接触切割/后引弧 |
| 6 | | | Tip;喷嘴 |
| 6.1 | IJWV1679-10 | 51313P.10 | Flat tip ϕ 1.0mm/40-50A IPT60/backing striking;平头电极喷嘴 ϕ 1.0mm/40-50A IPT60/后引弧 |
| 6.2 | IJWV1679-11 | 51313P.11 | Flat tip ϕ 1.1mm/50-60A IPT60/backing striking;平头电极喷嘴 ϕ 1.1mm/50-60A IPT60/后引弧 |
| 7● | | | Tip;喷嘴 |
| 7.1 | IJWV1610-06 | 51318L.06 | Extended tip ϕ 0.6mm/10-20A IPT60/backing striking;加长电极喷嘴/ ϕ 0.6mm/10-20A IPT60/后引弧 |
| 7.2 | IJWV1610-08 | 51318L.08 | Extended tip ϕ 0.8mm/20-30A IPT60/backing striking;加长电极喷嘴/ ϕ 0.8mm/20-30A IPT60/后引弧 |
| 8 | | | |
| 8.1 | IJWV1614-09 | 51314.09 | Extended tip ϕ 0.9mm/30-40A IPT60/Contact cutting/backing striking;加长电极喷嘴 ϕ 0.9mm/30-40A IPT60接触切割/后引弧 |
| 8.2 | IJWV1614-10 | | Extended tip ϕ 1.0mm/40-50A IPT60/Contact cutting/backing striking;加长电极喷嘴 ϕ 1.0mm/40-50A IPT60接触切割/后引弧 |
| 9 | IJWG1612 | 60028 | Diffuser IPT20C-IPT60;分流器 IPT20C-IPT60 |
| 10 | IJWC0671 | PR0110 | Electrode Plasma IPT20C-IPT60;等离子电极 IPT20C-IPT60 |
| 11 | IJWC1059 | 52582 | Electrode Plasma IPT20C-IPT60/backing striking;等离子电极 IPT20C-IPT60/后引弧 |
| 12 | IJWC1050 | 52583 | Extended electrode IPT20C-IPT60/backing striking;加长等离子电极 IPT20C-IPT60/后引弧 |
| 13 | IJWA0087 | | IPX-45/60 hand torch head;IPX-45/60手动等离子枪头 |
| 13a | IJGU0710 | 51620.60 | "O"ring ϕ 15X ϕ 18 IPT60 RED SIL;O型圈 ϕ 15X ϕ 18 IPT60 红色硅胶 |
| 14 | IJHW0049-01 | | Plasma handle manual/IPT20-60/PX torch head;等离子手工手柄/IPT20-60/适用于PX枪头 |
| 15 | IJK0733 | | Protection part/Plasma/Yellow;开关保护档片/等离子用/黄色 |
| 16 | IJIR0081 | 07301.20 | Trigger red;焊枪用开关 21.8MM 红色 |
| 17 | IJK0809 | | Plasma Joint/IPT20-60;等离子用球节套件/IPT20-60 |
| 18 | | | Cable assembly;电缆组 |
| 18.1 | IJW001106071-22 | | Cable assembly/IPT60/6M/2 wires/centre adaptor;电缆组/IPT60/6M/2芯/中央插头 |
| 18.2 | IJW001106074-22 | | Cable assembly/IPT60/6M/2 wires/integrated;电缆组/IPT60/6M/2芯/气电一体 |
| 18.3 | IJW001106077-22 | | Cable assembly/IPT60/6M/4 wires/centre adaptor;电缆组/IPT60/6M/4芯/中央插头 |
| 18.4 | IJW001106072-22 | | Cable assembly/IPT60/6M/2 wires/PX torch head/separate;电缆组/IPT60/6M/2芯/PX枪头/气电分体 |
| 19 | IJDH6017 | | Spanner for Plasma;等离子枪扳手 |
| 20 | IJAY0089 | | Central adaptor torch side Plasma 5 pins;等离子中央插头/5针 |
| 21 | IJTN0718 | | Circle cutting attachment;圆周切割附件 |
| 21.1 | IJTN0684 | | Roller stand IPT20C-60 / with spanner;滚轮支架 IPT20C-60/带扳手 |

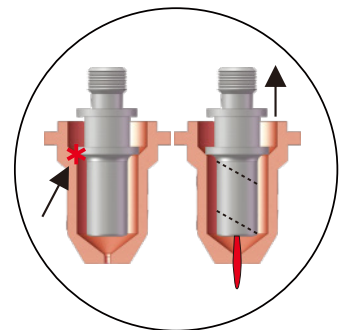


Technical Data

Current: 60 Amp
 Duty Cycle: 60%
 Gas: Air/N₂
 Gas Pressure: 4.5-5.0 Bar
 Gas Flow: 120-130LPM
 Ignition: Without Hf
 Post Flow: 55 Sec. Recommended
 Standard Length: 6m

技术参数

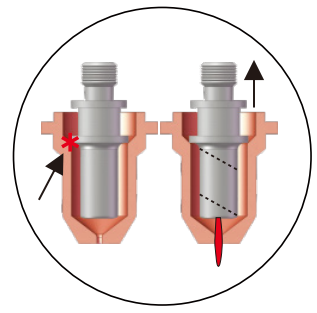
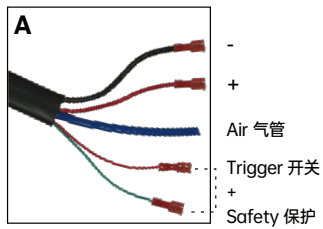
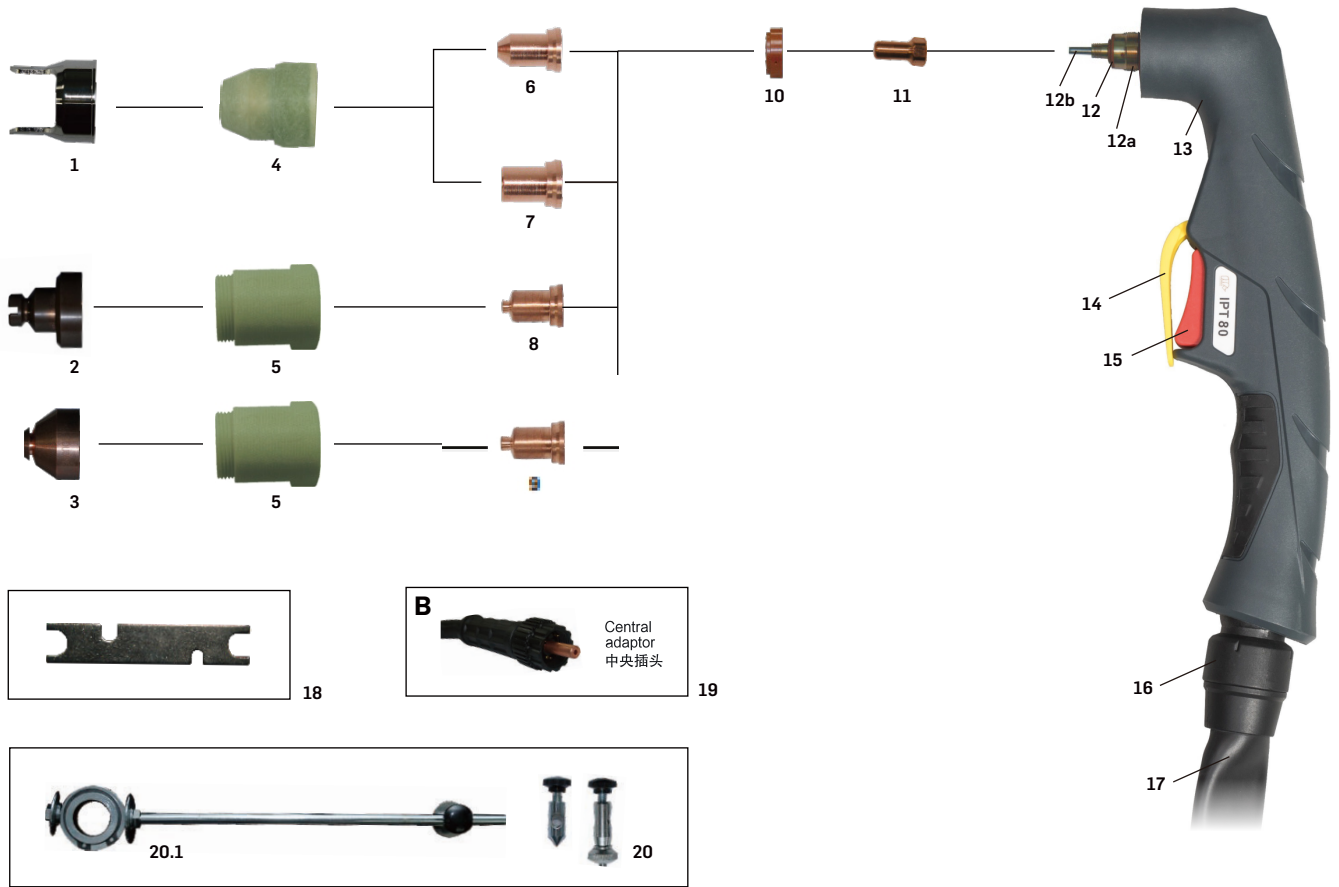
额定电流: 60 Amp
 占载率: 60%
 气体: 空气/氮气
 电极尺寸: 4.5-5.0 Bar
 气流量: 120-130LPM
 引弧方式: 非高频
 气体延时: 推荐55秒
 标准长度: 6M



Complete Torch

| | Code | Ref. | Description |
|---|------------|------|--|
| A | IJWU03082 | | Plasma Torch Ipx62/6m/ 1/4g /integrated/2 Wires;等离子切割枪/1px62/6m/ 1/4g /气电一体/2芯 |
| B | IJWU03083 | | Plasma Torch Ipx62/6m/ 1/4g /separate/2 Wires;等离子切割枪/1px62/6m/ 1/4g /气电分体/2芯 |
| C | IJWU03084 | | Plasma Torch Ipx62/6m/central Adaptor/2 Wires;等离子切割枪/1px62/6m/中央插头/2芯 |
| D | IJWU030741 | | Plasma Torch Ipx62/6m/central Adaptor/4 Wires;等离子切割枪/1px62/6m/中央插头/4芯 |
| E | IJWU03085 | | Plasma Torch Ipx62/6m/central Adaptor/coaxial Cable;等离子切割枪/1px62/6m/中央插头/同轴电缆 |

| Position | Code | Ref. | Description |
|--|-----------------|----------|---|
| (带"●"为标准配置 / With "●" is the standard configuration) | | | |
| 1● | IJTN0631 | | Shield Cap/1px62/hand;保护帽/1px62/手动 |
| 2 | IJTN0686 | | Shield Cap/1px62/gouging;保护帽/1px62/气刨 |
| 3 | IJTN0680 | | Extended Shield Cap/1px62;加长保护帽/1px62 |
| 4● | IJTN0669 | | Shield Cap/1px62/1px82;保护帽/1px62/1px82 |
| 5● | IJWT0643-05 | | Outside Nozzle Ipx62/gray Glass Fiber;外喷嘴 1px62/灰色玻纤 |
| 6 | | | Tip;喷嘴 |
| 6.1 | IJWV0703-08 | | Tip 0.8mm/30a/1px62;电极喷嘴 0.8mm/30a/1px62 |
| 6.2 | IJWV0703-09 | | Tip 0.9mm/40a/1px62;电极喷嘴 0.9mm/40a/1px62 |
| 6.3 | IJWV0703-10 | | Tip 1.0mm/50a/1px62;电极喷嘴 1.0mm/50a/1px62 |
| 6.4● | IJWV0703-11 | | Tip 1.1mm/60a/1px62;电极喷嘴 1.1mm/60a/1px62 |
| 7 | IJWV0767 | | Tip 30a-60a/1px62/gouging;电极喷嘴 30a-60a/1px62/气刨 |
| 8 | | | Tip;喷嘴 |
| 8.1 | IJWV0705-08 | | Extended Tip 0.8mm/30a/1px62;加长电极喷嘴 0.8mm/30a/1px62 |
| 8.2 | IJWV0705-09 | | Extended Tip 0.9mm/40a/1px62;加长电极喷嘴 0.9mm/40a/1px62 |
| 8.3 | IJWV0705-10 | | Extended Tip 1.0mm/50a/1px62;加长电极喷嘴 1.0mm/50a/1px62 |
| 8.4 | IJWV0705-11 | | Extended Tip 1.1mm/60a/1px62;加长电极喷嘴 1.1mm/60a/1px62 |
| 9● | IJWG0063 | | Diffuser Ipx62;分流器 Ipx62 |
| 10● | IJWC1059 | 52582 | Electrode Ipt20c-60/back Striking;等离子电极 Ipt20c-60 |
| 11 | IJWC1050 | 52583 | Extended Electrode Ipt20c-60/back Striking;加长等离子电极 Ipt20c-60 |
| 12 | IJWA0087 | | Ipx-45/60 Hand Torch Head;ipx-45/60手动等离子枪头 |
| 12a | IJGU0710 | 51620.60 | "O"ring 15x18 Ipx62 Red Sil;O型圈 15x18 Ipx62 红色硅胶 |
| 13 | IJHW0049-01 | | Plasma Hand Lemanual/pt20-60/ipx Torch Head;等离子手工手柄/pt20-60/适用于Px枪头 |
| 14 | IJK0733 | | Protection Part/plasma/yellow;开关保护档片/等离子用/黄色 |
| 15 | IJIR0081 | 07301.20 | Trigger Red;焊枪用开关 21.8mm 红色 |
| 16 | IJK0809 | | Plasma Joint/ipt20-60;等离子用球节套件/ipt20-60 |
| 17 | | | Cable Assembly;电缆组 |
| 17.1 | IJWO01106074-22 | | Cable Assembly/1px62/6m/2 Wires/integrated;电缆组/1px62/6m/2芯/气电一体 |
| 17.2 | IJWO01106072-22 | | Cable Assembly/1px62/6m/2 Wires/separate;电缆组/1px62/6m/2芯/气电分体 |
| 17.3 | IJWO01106071-22 | | Cable Assembly/1px62/6m/2 Wires/centre Adaptor;电缆组/1px62/6m/2芯/中央插头 |
| 17.4 | IJWO01106077-22 | | Cable Assembly/1px62/6m/4 Wires/centre Adaptor;电缆组/1px62/6m/4芯/中央插头 |
| 17.5 | IJWO0110617C-22 | | Cable Assembly/1px62/6m/coaxial Cable/centre Adaptor;电缆组/1px62/6m/同轴电缆/中央插头 |
| 18 | IJDH6017 | | Spanner For Plasma;等离子枪扳手 |
| 19 | IJAY0089 | | Central Adaptor Torch Side Plasma 5 Pins;等离子中央插头/5针 |



Technical Data

Current: 80 Amp
 Duty Cycle: 60%
 Gas: Air/N₂
 Gas Pressure: 4.5-5.0 Bar
 Gas Flow: 110LPM
 Ignition: Without Hf
 Post Flow: 80 Sec. Recommended
 Standard Length: 6M

技术参数

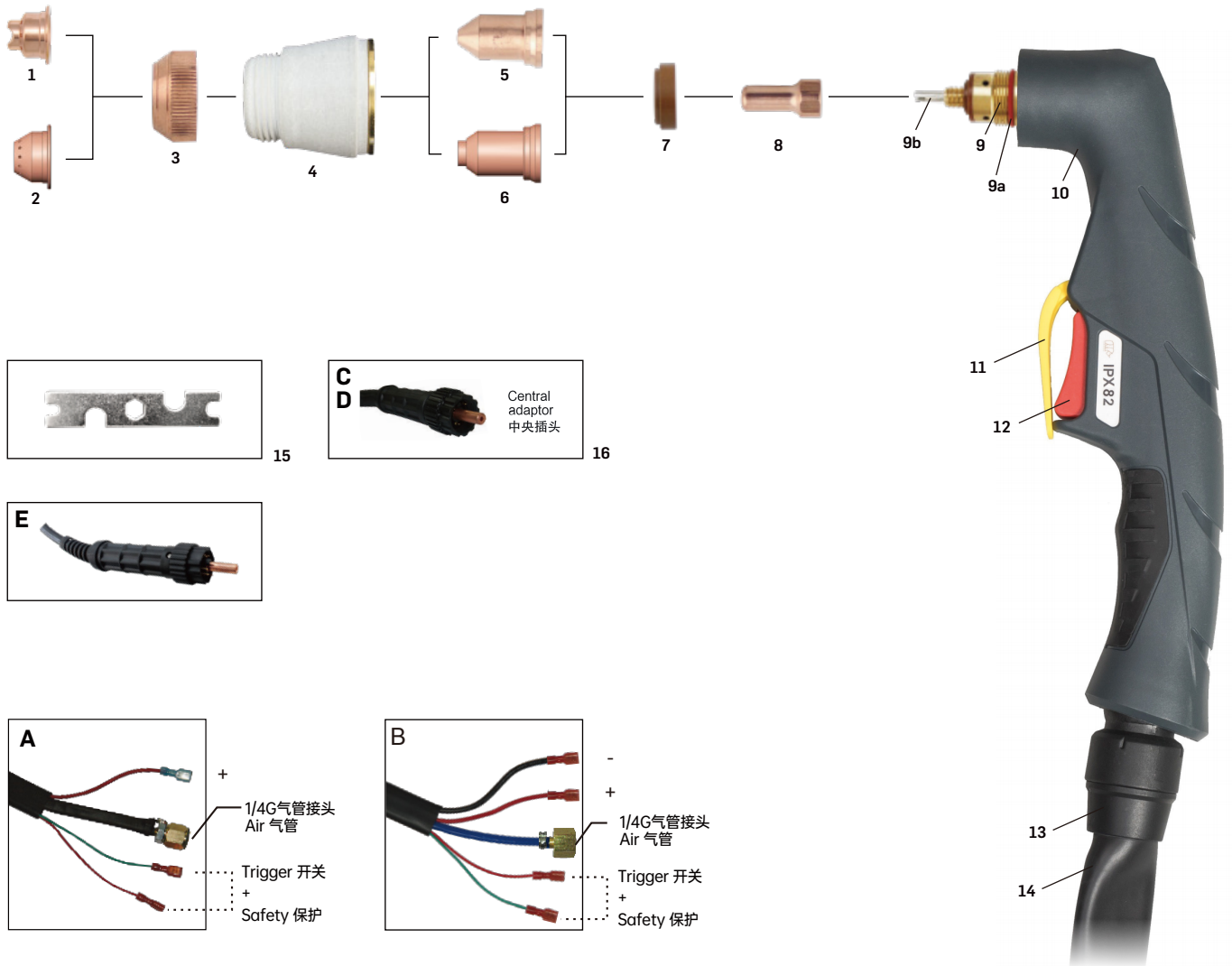
额定电流: 80 Amp
 占载率: 60%
 气体: 空气/氮气
 电极尺寸: 4.5-5.0 Bar
 气流量: 110LPM
 引弧方式: 非高频
 气体延时: 推荐80秒
 标准长度: 6M

自动枪
MACHINE TORCH

HAND TORCH

| | Code | Ref. | Description |
|---|---------------|------|--|
| A | IJWU03062-00 | | Plasma torch IPT80/6M/ 1/4G /integrated/2 wires/back striking;等离子切割枪/IPT80/6M/ 1/4G /气电一体/2芯/后引弧 |
| A | IJWU04062-00 | | Plasma torch IPT80/12M/ 1/4G /integrated/2 wires/back striking;等离子切割枪/IPT80/12M/ 1/4G /气电一体/2芯/后引弧 |
| B | IJWU03064-00 | | Plasma torch IPT80/6M/central adaptor/2 wires/back striking;等离子切割枪/IPT80/6M/中央插头/2芯/后引弧 |
| B | IJWU04064-00 | | Plasma torch IPT80/12M/central adaptor/2 wires/back striking;等离子切割枪/IPT80/12M/中央插头/2芯/后引弧 |
| C | IJWU030541-00 | | Plasma torch IPT80/6M/central adaptor/4 wires/back striking;等离子切割枪/IPT80/6M/中央插头/4芯/后引弧 |
| C | IJWU040541-00 | | Plasma torch IPT80/12M/central adaptor/4 wires/back striking;等离子切割枪/IPT80/12M/中央插头/4芯/后引弧 |

| Position | Code | Ref. | Description |
|--|------------------|-----------|---|
| (带"●"为标准配置 / With "●" is the standard configuration) | | | |
| 1 | IJTN0090 | 60434 | Double pointed spacer/ipt80;两点支架 ipt80 |
| 2 | IJTN0711 | 60504 | Outside nozzle ipt80;外喷嘴 ipt80 |
| 3 | IJTN1075 | 60508 | Outside nozzle/maximum life pt80;外喷嘴/长寿命 pt80 |
| 4● | IJWT1678-05 | 60510 | Tip ϕ 0.9 mm/30-40a /back striking;喷嘴 ϕ 0.9 mm/30-40a /后引弧 |
| 5 | IJWT1683-05 | 60511 | Tip;喷嘴 |
| 6 | | | Tip ϕ 1.0mm/40-50a /back striking;喷嘴 ϕ 1.0mm/40-50a /后引弧 |
| 6.1 | IJWV1681-10 | 51311.10 | Tip ϕ 1.1mm/50-60a /back striking;喷嘴 ϕ 1.1mm/50-60a /后引弧 |
| 6.2 | IJWV1681-11 | 51311.11 | Tip ϕ 1.2mm/60-70a /back striking;喷嘴 ϕ 1.2mm/60-70a /后引弧 |
| 6.3 | IJWV1681-12 | 51311.12 | Tip ϕ 1.3mm/70-80a /back striking;喷嘴 ϕ 1.3mm/70-80a /后引弧 |
| 6.4● | IJWV1681-13 | 51311.13 | Shield cap hand, 40-70a;隔离保护帽手工/40-70a |
| 7 | IJWV1682-09 | 51310.09 | Outside nozzle ipt80/contact cut;外喷嘴/ipt80/接触切割 |
| 8 | | | Tip;喷嘴 |
| 8.1 | IJWV1680-10 | 51311S.10 | Tip ϕ 1.0mm/40-50a /back striking;喷嘴 ϕ 1.0mm/40-50a /后引弧 |
| 8.2 | IJWV1680-11 | 51311S.11 | Tip ϕ 1.1mm/50-60a /back striking;喷嘴 ϕ 1.1mm/50-60a /后引弧 |
| 8.3 | IJWV1680-12 | 51311S.12 | Tip ϕ 1.2mm/60-70a /back striking;喷嘴 ϕ 1.2mm/60-70a /后引弧 |
| 8.4 | IJWV1680-13 | 51311S.13 | Tip ϕ 1.3mm/70-80a /back striking;喷嘴 ϕ 1.3mm/70-80a /后引弧 |
| 9 | IJWV1686-16 | 51311G.16 | Shield cap, gouging;气割隔离保护帽 |
| 10● | IJWG1676 | 60027 | Tip gouging/80a/back striking;气割喷嘴 80a/后引弧 |
| 11● | IJWC1670 | 52558 | Diffuser ipt80;分流器 ipt80 |
| 12 | IJWA0054-01 | | Electrode plasma ipt80/back striking;等离子电极 ipt80 /后引弧 |
| 12a | IJGU0710 | 51620.60 | Plasma torch head ipt80;等离子枪头 ipt80 |
| 12b | IJAO0784 | 09800.42 | "O"ring ϕ 18x15mm;o型圈 ϕ 18x15mm |
| 13 | IJHW0042-01 | | Air tube/ipt80;导流管 ipt80 |
| 14 | IJK0733 | | Plasma handle manual/ipt80-100/red;等离子手工手柄/ipt80-100/红色 |
| 15 | IJRO081 | 185.0031 | Protection part/plasma/yellow;开关保护档片/等离子用/黄色 |
| 16 | IJK0804 | | Trigger;开关 |
| 17 | | | Joint/small/new type;球节套件/小/新式 |
| 17.1 | IJWO01210074-300 | | Cable assembly;电缆组 |
| 17.2 | IJWO01210134-300 | | Cable assembly/pt80-pt120/10mmq/6m/two control wires/centre adaptor;电缆组//两芯控制线/中央插头 |
| 17.3 | IJWO01210071-300 | | Cable assembly/pt80-pt120/10mmq/6m/two control wires/1pc;电缆组/两芯控制线/气电一体 |
| 17.4 | IJWO01210131-300 | | Cable assembly/pt80-pt120/10mmq/12m/two control wires/centre adaptor;电缆组/两芯控制线/中央插头 |
| 17.5 | IJWO01210077-300 | | Cable assembly/pt80-pt120/10mmq/12m/two control wires/1pc;电缆组/两芯控制线/气电一体 |
| 17.6 | IJWO01210137-300 | | Plasma torch auto head iptm80;等离子自动枪头/iptm80 |
| 18 | IJDH6017 | 60368 | Fiberglass position tube/iptm80-120;自动枪手柄iptm80-120 |
| 19 | IJAY0089 | | Spanner for plasma;等离子枪扳手 |
| 20 | IJTN0719 | 51853 | Central adaptor torch side plasma 5 pins;等离子中央插头/5针 |
| 20.1 | IJTN0682 | | circle cutting attachment ipt80;圆周切割附件 ipt80 |

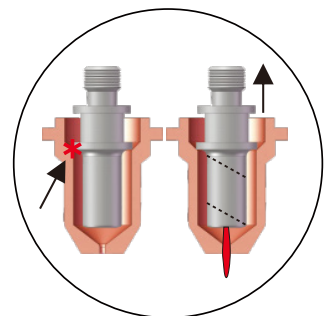


Technical Data

Current: 80 Amp
 Duty Cycle: 60%
 Gas: Air/N₂
 Gas Pressure: 4.5-5.0 Bar
 Gas Flow: 120-130LPM
 Ignition: Without Hf
 Post Flow: 80 Sec. Recommended
 Standard Length: 6M

技术参数

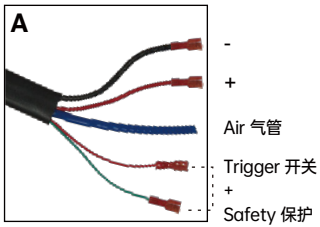
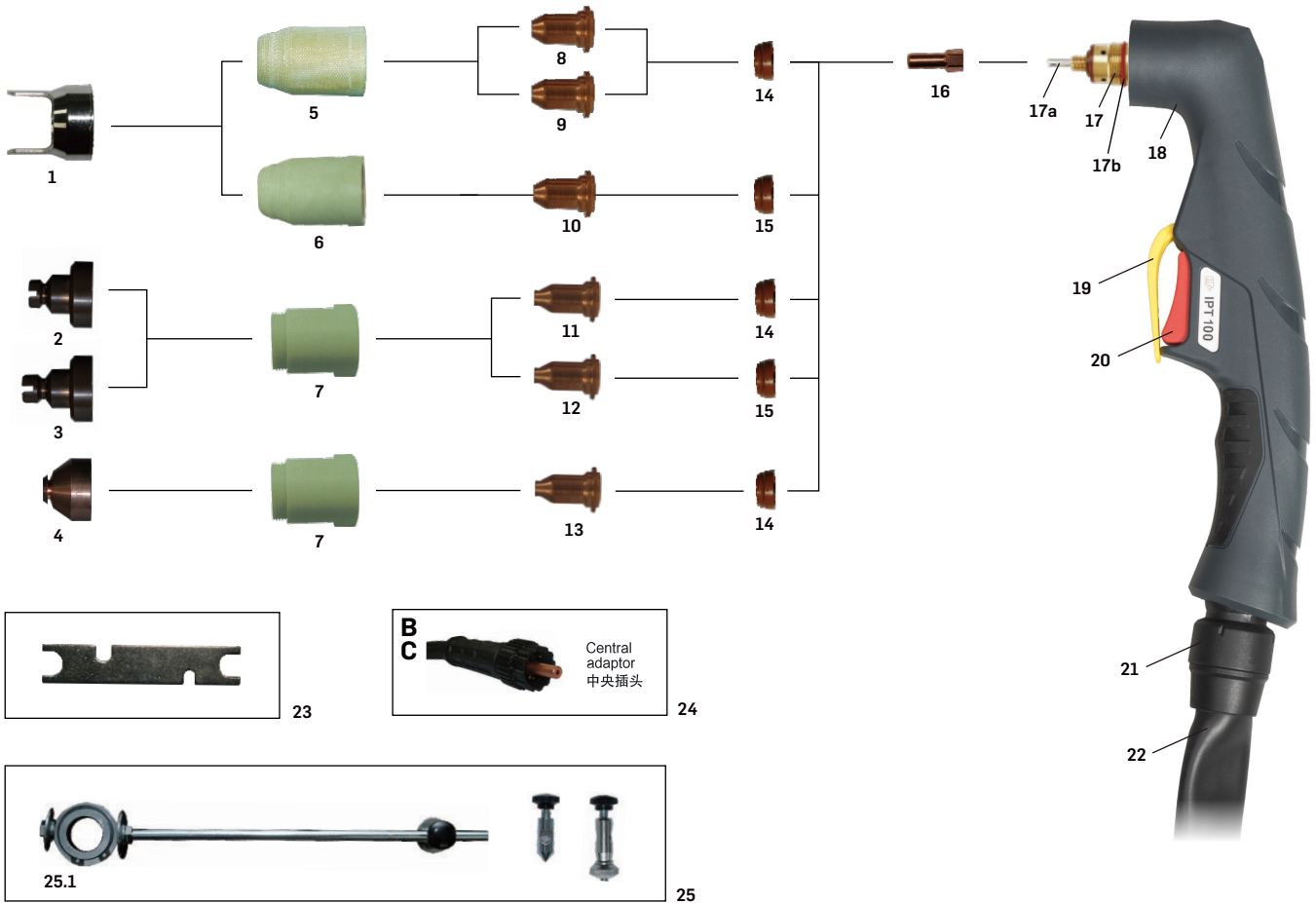
额定电流: 80 Amp
 占载率: 60%
 气体: 空气/氮气
 电极尺寸: 4.5-5.0 Bar
 气流量: 120-130LPM
 引弧方式: 非高频
 气体延时: 推荐80秒
 标准长度: 6M



Complete Torch

| | Code | Ref. | Description |
|---|------------|------|--|
| A | IJWU03092 | | Plasma Torch Ipx82/6m/ 1/4g /integrated/2 Wires;等离子切割枪/1px82/6m/ 1/4g /气电一体/2芯 |
| B | IJWU03093 | | Plasma Torch Ipx82/6m/ 1/4g/separatae/2 Wires;等离子切割枪/1px82/6m/ 1/4g /气电分体/2芯 |
| C | IJWU03094 | | Plasma Torch Ipx82/6m/central Adaptor/2 Wires;等离子切割枪/1px82/6m/中央插头/2芯 |
| D | IJWU030841 | | Plasma Torch Ipx82/6m/central Adaptor/4 Wires;等离子切割枪/1px82/6m/中央插头/4芯 |
| E | IJWU03095 | | Plasma Torch Ipx82/6m/central Adaptor/coaxial Cable;等离子切割枪/1px82/6m/中央插头/同轴电缆 |

| Position | Code | Ref. | Description |
|--|------------------|----------|--|
| (带"●"为标准配置 / With "●" is the standard configuration) | | | |
| 1● | IJTN0689 | | Shield cap/1px82/hand;保护帽/1px82/手动 |
| 2 | IJTN0660 | | Shield cap/1px82/gouging;保护帽/1px82/气刨 |
| 3● | IJTN0669 | | Shield cap/1px62/1px82;保护帽/1px62/1px82 |
| 4● | IJWT0641-05 | | Outside nozzle 1px82/gray glass fiber;外喷嘴 1px82/灰色玻纤 |
| 5 | | | Tip;喷嘴 |
| 5.1 | IJWV0701-09 | | Tip ϕ 0.9mm/40a/1px82;电极喷嘴 ϕ 0.9mm/40a/1px82 |
| 5.2 | IJWV0701-10 | | Tip ϕ 1.0mm/50a/1px82;电极喷嘴 ϕ 1.0mm/50a/1px82 |
| 5.3 | IJWV0701-11 | | Tip ϕ 1.1mm/60a/1px82;电极喷嘴 ϕ 1.1mm/60a/1px82 |
| 5.4 | IJWV0701-12 | | Tip ϕ 1.2mm/70a/1px82;电极喷嘴 ϕ 1.2mm/70a/1px82 |
| 5.5● | IJWV0701-13 | | Tip ϕ 1.3mm/80a/1px82;电极喷嘴 ϕ 1.3mm/80a/1px82 |
| 6 | IJWV0704 | | Tip 30a-80a/1px82/gouging;电极喷嘴 30a-80a/1px82/气刨 |
| 7● | IJWG0061 | | Diffuser 1px82;分流器1px82 |
| 8● | IJWC1670 | 52558 | Electrode ipt80/1px82;等离子电极 ipt80/1px82 |
| 9 | IJWA0603 | | Torch head 1px82/90°;等离子枪头 1px82/90° |
| 9a | IJGU0710 | 51620.60 | "O"ring ϕ 15x ϕ 18 ipt80 red sil;"o"型圈 ϕ 15x ϕ 18 ipt80 红色硅胶 |
| 9b | IJAO0784 | 69800.42 | Air tube/ipt80/1px82;导流管ipt80/1px82 |
| 10 | IJHW0049-01 | | Plasma handle manuale/red/1px torch head;等离子手工手柄/红色/适用于1px枪头 |
| 11 | IJK0733 | | Protection part/plasma/yellow;开关保护档片/等离子用/黄色 |
| 12 | IJIR0081 | | Trigger red;焊枪用开关 21.8mm 红色 |
| 13 | IJK0804 | | Joint/small/new type;球节套件/小/新式 |
| 14 | | | Cable assembly;电缆组 |
| 14.1 | IJWO01210074-300 | | Cable assembly/1px82/6m/2 wires/integrated;电缆组/1px82/6m/2芯/气电一体 |
| 14.2 | IJWO01210072-300 | | Cable assembly/1px82/6m/2 wires/separatae;电缆组/1px82/6m/2芯/气电分体 |
| 14.3 | IJWO01210071-300 | | Cable assembly/1px82/6m/2 wires/centre adaptor;电缆组/1px82/6m/2芯/中央插头 |
| 14.4 | IJWO01210077-300 | | Cable assembly/1px82/6m/4 wires/centre adaptor;/电缆组/1px82/6m/4芯/中央插头 |
| 14.5 | IJWO0121117C-22 | | Cable assembly/1px82/6m/coaxial cable/centre adaptor;电缆组/1px82/6m/同轴电缆/中央插头 |
| 15 | IJDH6017 | | Spanner for plasma;plasma枪扳手 |
| 16 | IJAY0089 | | Centre adaptor torchside plasma 5 pins;等离子中央插头/5针 |

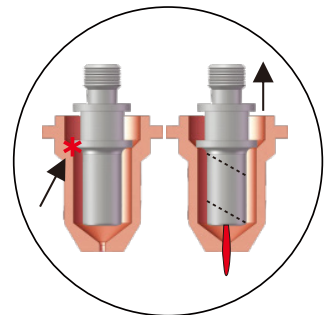


Technical Data

Current: 100 Amp
 Duty Cycle: 60%
 Gas: Air/N₂
 Gas Pressure: 4.6-5.0 Bar
 Gas Flow: 200LPM
 Ignition: Without Hf
 Post Flow: 80 Sec. Recommended
 Standard Length: 6M

技术参数

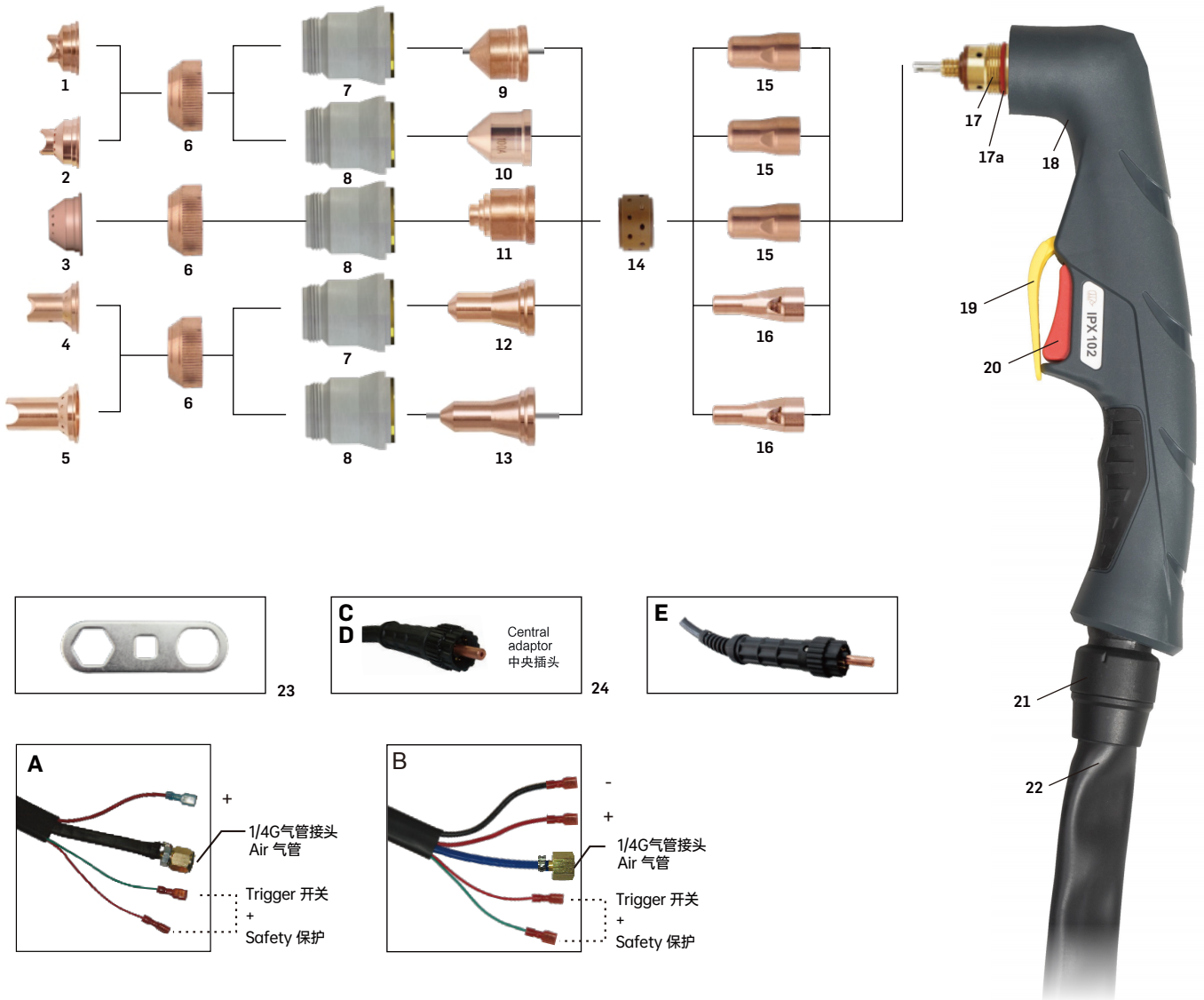
额定电流: 100 Amp
 占载率: 60%
 气体: 空气/氮气
 电极尺寸: 4.6-5.0 Bar
 气流量: 200LPM
 引弧方式: 非高频
 气体延时: 推荐80秒
 标准长度: 6M



HAND TORCH

| | Code | Ref. | Description |
|---|---------------|------|--|
| A | IJWU03072-00 | | Plasma torch IPT100/6M/ 1/4G /integrated/2 wires/back striking;等离子切割枪/IPT100/6M/ 1/4G /气电一体/2芯/后引弧 |
| A | IJWU04072-00 | | Plasma torch IPT100/12M/ 1/4G /integrated/2 wires/back striking;等离子切割枪/IPT100/12M/ 1/4G /气电一体/2芯/后引弧 |
| B | IJWU03074-00 | | Plasma torch IPT100/6M/central adaptor/2 wires/back striking;等离子切割枪/IPT100/6M/中央插头/2芯/后引弧 |
| B | IJWU04074-00 | | Plasma torch IPT100/12M/central adaptor/2 wires/back striking;等离子切割枪/IPT100/12M/中央插头/2芯/后引弧 |
| C | IJWU030641-00 | | Plasma torch IPT100/6M/central adaptor/4 wires/back striking;等离子切割枪/IPT100/6M/中央插头/4芯/后引弧 |
| C | IJWU040641-00 | | Plasma torch IPT100/12M/central adaptor/4 wires/back striking;等离子切割枪/IPT100/12M/中央插头/4芯/后引弧 |

| Position | Code | Ref. | Description |
|--|------------------|-----------|---|
| (带"●"为标准配置 / With "●" is the standard configuration) | | | |
| 1 | IJTN0096 | 60444 | Double pointed spacer/IPT100;两点支架 IPT100 |
| 2 | IJTN0711 | 60504 | Shield cap/40-70A/cotact cutting;隔离保护帽/40-70A/接触切割 |
| 3 | IJTN0655 | 60505 | Shield cap/80-120A/cotact cutting;隔离保护帽/80-120A/接触切割 |
| 4 | IJTN1075 | 60508 | Shield cap/gouging;隔离保护帽/气割 |
| 5 | IJWT1689-05 | 60500 | Outside IPT100/30-70A/Gray glass fiber;外喷嘴/IPT100/30-70A/灰色玻纤 |
| 6● | IJWT1687-05 | 60501 | Outside nozzle IPT100/80-120A/Gray glass fiber;外喷嘴 IPT100/80-120A/灰色玻纤 |
| 7 | IJWT1685-05 | 60502 | Outside nozzle IPT100/Contact cut and gouging;外喷嘴/IPT100/接触切割和气割 |
| 8 | IJWV1683-09 | 51245.09 | Tip Φ 0.9mm/cotact cutting/30-70A /back striking;电极喷嘴 Φ 0.9mm/30-70A/后引弧 |
| 9 | | | Tip;电极喷嘴 |
| 9.1 | IJWV1689-10 | 51246.10 | Tip Φ 1.0mm/40-50A/ IPT100/back striking;电极喷嘴 Φ 1.0mm/40-50A/IPT100/后引弧 |
| 9.2 | IJWV1689-11 | 51246.11 | Tip Φ 1.1mm/50-60A/ IPT100/back striking;电极喷嘴 Φ 1.1mm/50-60A/IPT100/后引弧 |
| 9.3 | IJWV1689-12 | 51246.12 | Tip Φ 1.2mm/60-70A/ IPT100/back striking;电极喷嘴 Φ 1.2mm/60-70A/IPT100/后引弧 |
| 10 | | | Tip;喷嘴 |
| 10.1 | IJWV1687-14 | 51248.14 | Tip Φ 1.4mm/80-90A/ IPT100/back striking;电极喷嘴 Φ 1.4mm/80-90A/IPT100/后引弧 |
| 10.2 | IJWV1687-15 | 51248.15 | Tip Φ 1.5mm/100-110A/ IPT100/back striking;电极喷嘴 Φ 1.5mm/100-110A/IPT100/后引弧 |
| 10.3● | IJWV1687-16 | 51248.16 | Tip Φ 1.6mm/110-120A/ IPT100/back striking;电极喷嘴 Φ 1.6mm/110-120A/IPT100/后引弧 |
| 11 | | | Tip;电极喷嘴 |
| 11.1 | IJWV1685-10 | 51276.10 | Contact tip Φ 1.0mm/40-50A/IPT100/back striking;接触电极喷嘴 Φ 1.0mm/40-50A/IPT100/后引弧 |
| 11.2 | IJWV1685-11 | 51276.11 | Contact tip Φ 1.1mm/50-60A/IPT100/back striking;接触电极喷嘴 Φ 1.1mm/50-60A/IPT100/后引弧 |
| 11.3 | IJWV1685-12 | 51276.12 | Contact tip Φ 1.2mm/60-70A/IPT100/back striking;接触电极喷嘴 Φ 1.2mm/60-70A/IPT100/后引弧 |
| 12 | | | Tip;电极喷嘴 |
| 12.1 | IJWV1697-14 | 51278.14 | Contact tip Φ 1.4mm/80-90A/IPT100/back striking;接触电极喷嘴 Φ 1.4mm/80-90A/IPT100/后引弧 |
| 12.2 | IJWV1697-15 | 51278.15 | Contact tip Φ 1.5mm/100-110A/IPT100/back striking;接触电极喷嘴 Φ 1.5mm/100-110A/IPT100/后引弧 |
| 12.3 | IJWV1697-16 | 51278.16 | Contact tip Φ 1.6mm/110-120A /IPT100/back striking;接触电极喷嘴 Φ 1.6mm/110-120A/IPT100/后引弧 |
| 13 | IJWV1698-22 | 51278G.22 | Tip gouging IPT100/120A/gouging/back striking;喷嘴/IPT100/120A/气割/后引弧 |
| 14 | IJWG1673 | 60025 | Diffuser IPT100/30-70A;分流器 IPT100/30-70A |
| 15 | IJWG1672 | 60026 | Diffuser IPT100/80-120A and gouging;分流器 IPT100/80-120A以及气割 |
| 16● | IJWC1687 | 52556 | Electrode plasma IPT100;等离子电极 IPT100 |
| 17 | JWA0056-01 | | Plasma torch head IPT100/90°;等离子枪头 IPT100/90° |
| 17a | IJA00785 | 09700.48 | Air tube IPT100;导流管/IPT100 |
| 17b | IJGU0716 | 51190.41 | "O"ring Φ 18x21mm IPT100;O型圈 Φ 18x21mm/IPT100/ |
| 18 | IJHW0042-01 | | Plasma handle manual/IPT80-100/Red;等离子手工手柄/IPT80-100/红色 |
| 19 | IJK0733 | | Protection part/plasma/yellow;开关保护档片/等离子用/黄色 |
| 20 | IJIR0081 | | Trigger;开关 |
| 21 | IJK0804 | | Joint/small/new type;球节套件/小/新式 |
| 22 | | | Cable assembly;电缆组 |
| 22.1 | IJWO01210074-300 | | Cable assembly/IPT100/6M/2 wires/integrated;电缆组/IPT100/6M/2芯/气电一体 |
| 22.2 | IJWO01210134-300 | | Cable assembly/IPT100/12M/2 wires/integrated;电缆组/IPT100/12M/2芯/气电一体 |
| 22.3 | IJWO01210071-300 | | Cable assembly/IPT100/6M/2 wires/centre adaptor;电缆组/IPT100/6M/2芯/中央插头 |
| 22.4 | IJWO01210131-300 | | Cable assembly/IPT100/12M/2 wires/centre adaptor;电缆组/IPT100/12M/两芯/中央插头 |
| 22.5 | IJWO01210077-300 | | Cable assembly/IPT100/6M/4 wires/centre adaptor;电缆组/IPT100/6M/4芯/中央插头 |
| 22.6 | IJWO01210137-300 | | Cable assembly/IPT100/12M/4 wires/centre adaptor;电缆组/IPT100/12M/4芯/中央插头 |
| 23 | IJDH6017 | | Spanner for Plasma;等离子枪扳手 |
| 24 | IJAY0089 | | Central adaptor torch side plasma 5 pins;等离子中央插头/5针 |
| 25 | IJTN0716 | | Circle cutting attachment/IPT100;圆周切割附件/IPT100 |
| 25.1 | IJTN0683 | | Roller stand IPT100/ with spanner;滚轮支架 IPT100/带扳手 |



Technical Data

Current: 120 Amp
 Duty Cycle: 60%
 Gas: Air/N₂
 Gas Pressure: 5.0 Bar
 Gas Flow: 200LPM
 Ignition: Without Hf
 Post Flow: 100 Sec. Recommended
 Standard Length: 6M

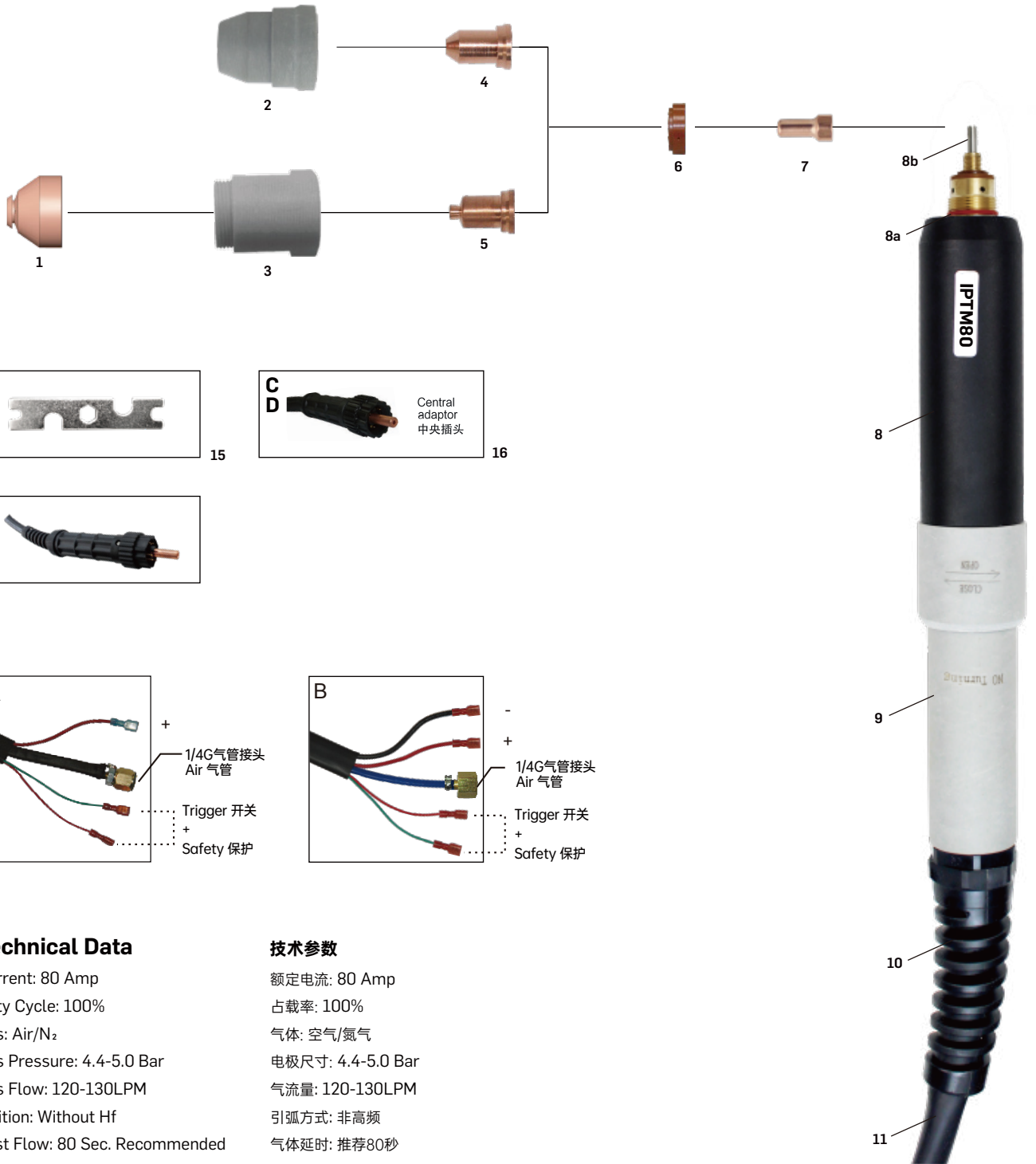
技术参数

额定电流: 120 Amp
 占载率: 60%
 气体: 空气/氮气
 电极尺寸: 5.0 Bar
 气流量: 200LPM
 引弧方式: 非高频
 气体延时: 推荐100秒
 标准长度: 6M

Complete Torch

| | Code | Ref. | Description |
|---|------------|------|--|
| A | IJWU03002 | | Plasma Torch Ipx102/6m/ 1/4g /integrated/2 Wires;等离子切割枪/1px102/6m/ 1/4g /气电一体/2芯 |
| B | IJWU03003 | | Plasma Torch Ipx102/6m/ 1/4g /separate/2 Wires;等离子切割枪/1px102/6m/ 1/4g /气电分体/2芯 |
| C | IJWU03004 | | Plasma Torch Ipx102/6m/central Adaptor/2 Wires;等离子切割枪/1px102/6m/中央插头/2芯 |
| D | IJWU030941 | | Plasma Torch Ipx102/6m/central Adaptor/4 Wires;等离子切割枪/1px102/6m/中央插头/4芯 |
| E | IJWU03005 | | Plasma Torch Ipx102/6m/central Adaptor/coaxial Cabler;等离子切割枪/1px102/6m/中央插头/同轴电缆 |

| Position | Code | Ref. | Description |
|--|------------------|------|---|
| (带"●"为标准配置 / With "●" is the standard configuration) | | | |
| 1 | IJTN6675 | | Shield cap/40-80a/1px102/hand;保护帽/40-80a/1px102/手动 |
| 2● | IJTN6676 | | Shield cap/100-120a/1px102/hand;保护帽/100-120a/1px102/手动 |
| 3 | IJTN0777 | | Shield cap/1px102/gouging;保护帽/1px102/气割 |
| 4 | IJTN0778 | | Extended shield cap/40-80a/1px102;加长保护帽/40-80a/1px102 |
| 5 | IJTN0779 | | Extended shield cap/100-120a/1px102;加长保护帽/100-120a/1px102 |
| 6 | IJTN0666 | | Shield cap/1px102;保护帽/1px102 |
| 7 | IJWT0645-05 | | Outside nozzle Ipx102/6 holes/40-80a/gray glass fiber;外喷嘴 Ipx102/6孔/40-80a/灰色玻纤 |
| 8● | IJWT0642-05 | | Outside nozzle Ipx102/8 holes/100-120a/gray glass fiber;外喷嘴 Ipx102/8孔/100-120a/灰色玻纤 |
| 9 | | | Tip;喷嘴 |
| 9.1 | IJWV0790-10 | | Tip φ1.0mm/40-50a/1px102;电极喷嘴 φ1.0mm/40-50a/1px102 |
| 9.2 | IJWV0790-11 | | Tip φ1.1mm/50-60a/1px102;电极喷嘴 φ1.1mm/50-60a/1px102 |
| 9.3 | IJWV0790-12 | | Tip φ1.2mm/60-70a/1px102;电极喷嘴 φ1.2mm/60-70a/1px102 |
| 9.4 | IJWV0790-14 | | Tip φ1.4mm/80-90a/1px102;电极喷嘴 φ1.4mm/80-90a/1px102 |
| 10 | | | Tip;喷嘴 |
| 10.1● | IJWV0702-16 | | Tip φ1.6mm/100a/1px102;电极喷嘴 φ1.6mm/100a/1px102 |
| 10.2 | IJWV0702-18 | | Tip φ1.8mm/120a/1px102;电极喷嘴 φ1.8mm/120a/1px102 |
| 11 | IJWV0768 | | Tip 40-120a/1px102/gouging;电极喷嘴 40-120a/1px102/气割 |
| 12 | | | Tip;喷嘴 |
| 12.1 | IJWV0766-10 | | Extended tip φ1.0mm/40-50a/1px102;加长电极喷嘴 φ1.0mm/40-50a/1px102 |
| 12.2 | IJWV0766-11 | | Extended tip φ1.1mm/50-60a/1px102;加长电极喷嘴 φ1.1mm/50-60a/1px102 |
| 12.3 | IJWV0766-12 | | Extended tip φ1.2mm/60-70a/1px102;加长电极喷嘴 φ1.2mm/60-70a/1px102 |
| 12.4 | IJWV0766-14 | | Extended tip φ1.4mm/80-90a/1px102;加长电极喷嘴 φ1.4mm/80-90a/1px102 |
| 13 | IJWV0760-16 | | Extended tip φ1.6mm/100a/1px102;加长电极喷嘴 φ1.6mm/100a/1px102 |
| 14 | IJWG0062 | | Diffuser Ipx102;分流器 Ipx102 |
| 15● | IJWC0642 | | Electrode Ipx102;电极 Ipx102 |
| 16 | IJWC0648 | | Extended electrode Ipx102;加长电极 Ipx102 |
| 17 | IJWA0055-01 | | Plasma torch head Ipx102/90°;等离子枪头 Ipx102/90° |
| 17a | IJGU8568 | | "O" ring φ19.6×16mm/1px102/red sil;o型圈/φ19.6×16mm/1px102/红色硅胶 |
| 17b | IJA00718 | | Air tube/1px102;导流管/1px102 |
| 18 | IJHW0042-01 | | Plasma handle manual/ipt80-100;等离子手工手柄/ipt80-100 |
| 19 | IJK0733 | | Protection part/plasma/yellow;开关保护档片/等离子用/黄色 |
| 20 | IJIR0081 | | Trigger red;焊枪用开关 21.8mm 红色 |
| 21 | IJK0804 | | Tig joint/small/new type;tig用球节套件/小/新式 |
| 22 | | | Cable assembly;电缆组 |
| 22.1 | IJW001210074-300 | | Cable assembly/1px102/6m/2 wires/integrated;电缆组/1px102/6m/2芯/气电一体 |
| 22.2 | IJW001210072-300 | | Cable assembly/1px102/6m/2 wires/separate;电缆组/1px102/6m/2芯/气电分体 |
| 22.3 | IJW001210071-300 | | Cable assembly/1px102/6m/2 wires/centre adaptor;电缆组/1px102/6m/2芯/中央插头 |
| 22.4 | IJW001210077-300 | | Cable assembly/1px102/6m/4 wires/centre adaptor;电缆组/1px102/6m/4芯/中央插头 |
| 22.5 | IJW00121117C-22 | | Cable assembly/1px102/6m/coaxial cable/centre adaptor;电缆组1px102/6m/同轴电缆/中央插头 |
| 23 | IJDH6010 | | Spanner for p80;p80枪用扳手 |
| 24 | IJAY0089 | | Centre adaptor torchside plasma 5 pins;等离子中央插头/5针 |



Technical Data

Current: 80 Amp
 Duty Cycle: 100%
 Gas: Air/N₂
 Gas Pressure: 4.4-5.0 Bar
 Gas Flow: 120-130LPM
 Ignition: Without Hf
 Post Flow: 80 Sec. Recommended
 Standard Length: 6/12M

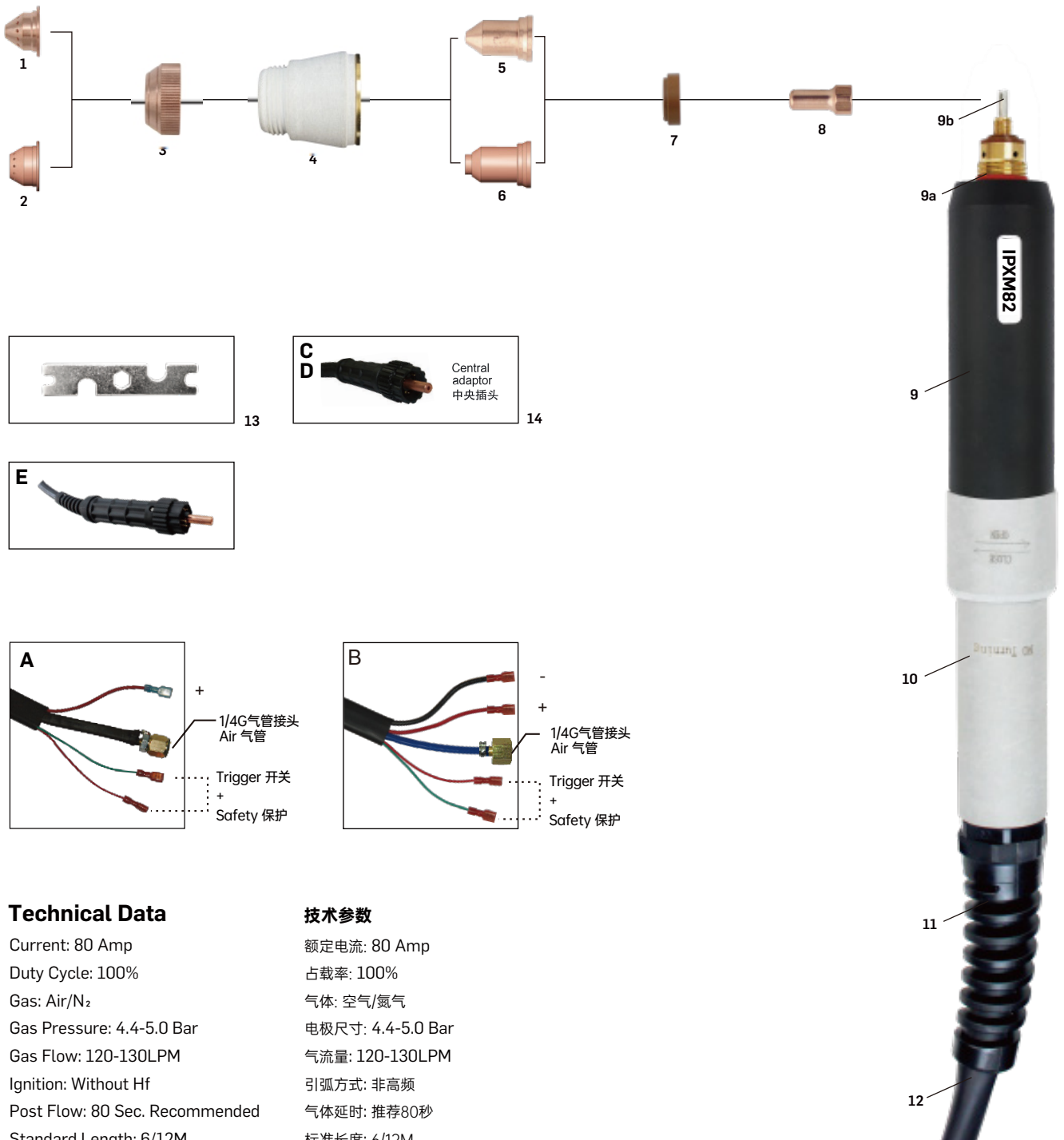
技术参数

额定电流: 80 Amp
 占载率: 100%
 气体: 空气/氮气
 电极尺寸: 4.4-5.0 Bar
 气流量: 120-130LPM
 引弧方式: 非高频
 气体延时: 推荐80秒
 标准长度: 6/12M

Complete Torch

| | Code | Ref. | Description |
|---|--------------|------|--|
| A | IJWU13062-00 | | Plasma machine torch iptm80/6m/ 1/4g /integrated/2 wires/back striking;等离子自动切割枪/气电一体/2芯/后引弧 |
| A | IJWU14062-00 | | Plasma machine torch iptm80/12m/ 1/4g /integrated/2 wires/back striking;等离子自动切割枪/气电一体/2芯/后引弧 |
| B | IJWU13063-00 | | Plasma machine torch iptm80/6m/ 1/4g /separation/2 wires/back striking;等离子自动切割枪/气电分体/2芯/后引弧 |
| B | IJWU14063-00 | | Plasma machine torch iptm80/12m/ 1/4g /separation/2 wires/back striking;等离子自动切割枪/气电分体/2芯/后引弧 |
| C | IJWU13064-00 | | Plasma machine torch iptm80/6m/central adaptor/2 wires/back striking;等离子自动切割枪/中央插头/2芯/后引弧 |
| C | IJWU14064-00 | | Plasma machine torch iptm80/12m/central adaptor/2 wires/back striking;等离子自动切割枪/中央插头/2芯/后引弧 |
| D | IJWU13065-00 | | Plasma machine torch iptm80/6m/central adaptor/coaxial cable/back striking;等离子自动切割枪/中央插头/同轴电缆/后引弧 |
| D | IJWU14065-00 | | Plasma machine torch iptm80/12m/central adaptor/coaxial cable/back striking;等离子自动切割枪/中央插头/同轴电缆/后引弧 |

| Position | Code | Ref. | Description |
|--|-----------------|-----------|---|
| (带"●"为标准配置 / With "●" is the standard configuration) | | | |
| 1 | IJTN1075 | 60508 | Shield cap/ipt80/gouging;隔离保护帽/ipt80/气刨 |
| 2● | IJWT1678-05 | 60510 | Outside nozzle ipt80/gray glass fiber;外喷嘴 ipt80/灰色玻纤 |
| 3 | IJWT1683-05 | 60511 | Outside nozzle ipt80/gouging;外喷嘴/ipt80/气刨 |
| 4 | | | Tip;喷嘴 |
| 4.1 | IJWV1681-10 | 51311.10 | Tip ϕ 1.0mm 40-50a/ipt80/back striking;电极喷嘴 ϕ 1.0mm 40-50a/ipt80/后引弧 |
| 4.2 | IJWV1681-11 | 51311.11 | Tip ϕ 1.1mm 50-60a/ipt80/back striking;电极喷嘴 ϕ 1.1mm 50-60a/ipt80/后引弧 |
| 4.3 | IJWV1681-12 | 51311.12 | Tip ϕ 1.2mm 60-70a/ipt80/back striking;电极喷嘴 ϕ 1.2mm 60-70a/ipt80/后引弧 |
| 4.4● | IJWV1681-13 | 51311.13 | Tip ϕ 1.3mm 70-80a/ipt80/back striking;电极喷嘴 ϕ 1.3mm 70-80a/ipt80/后引弧 |
| 5 | IJWV1686-16 | 51311G.16 | Tip ϕ 1.6mm/80a/ipt80/gouging/back striking;喷嘴 ϕ 1.6mm/80a/ipt80/气刨/后引弧 |
| 6● | IJWG1676 | 60027 | Diffuser ipt80;分流器 ipt80 |
| 7● | IJWC1670 | 52558 | Electrode plasma ipt80;等离子电极 ipt80 |
| 8 | IJWA0632 | | Torch head iptm80/ipxm82;等离子枪头 iptm80/ipxm82 |
| 8a | IJGU0710 | 51620.60 | "O"ring ϕ 18x15mm ipt80 red sil;"o"型圈 ϕ 18x15mm ipt80 红色硅胶 |
| 8b | IJAO0784 | 09800.42 | Air tube/ipt80;导流管/ipt80 |
| 9 | IJK0121 | | Plasma machine handle kit;等离子自动枪手柄组件/自制 |
| 10 | | | Spring support;弹簧支撑 |
| 10.1 | IJK0800 | | Spring support/pg21/plasma/coaxial cable;弹簧支撑/pg21/plasma/同轴 |
| 10.2 | IJK0800-02 | | Spring support/pg21/plasma/epdm;弹簧支撑/pg21/plasma/epdm |
| 11 | | | Cable assembly;电缆组 |
| 11.1 | IJWO11210074-22 | | Cable assembly/iptm80/6m/ 1/4g /2 wires/integrated;电缆组/iptm80/6m/ 1/4g /2芯/气电一体 |
| 11.2 | IJWO11210134-22 | | Cable assembly/iptm80/12m/ 1/4g /2 wires/integrated;电缆组/iptm80/12m/ 1/4g /2芯/气电一体 |
| 11.3 | IJWO11210072-22 | | Cable assembly/iptm80/6m/ 1/4g /2 wires/separation;电缆组/iptm80/6m/ 1/4g /2芯/气电分体 |
| 11.4 | IJWO11210132-22 | | Cable assembly/iptm80/12m/ 1/4g /2 wires/separation;电缆组/iptm80/12m/ 1/4g /2芯/气电分体 |
| 11.5 | IJWO11210071-22 | | Cable assembly/iptm80/6m/2 wires/centre adaptor;电缆组/iptm80/6m/2芯/中央插头 |
| 11.6 | IJWO11210131-22 | | Cable assembly/iptm80/12m/2 wires/centre adaptor;电缆组/iptm80/12m/2芯/中央插头 |
| 11.7 | IJWO1121117C-22 | | Cable assembly/iptm80/6m/central adaptor/coaxial cable;电缆组/中央插头/同轴电缆 |
| 11.8 | IJWO1121123C-22 | | Cable assembly/iptm80/12m/central adaptor/coaxial cable;电缆组/中央插头/同轴电缆 |
| 12 | IJDH6017 | | Spanner for plasma;plasma枪扳手 |
| 13 | IJAY0089 | | Central adaptor torchside plasma 5 pins;等离子中央插头/5针 |



Technical Data

Current: 80 Amp
 Duty Cycle: 100%
 Gas: Air/N₂
 Gas Pressure: 4.4-5.0 Bar
 Gas Flow: 120-130LPM
 Ignition: Without Hf
 Post Flow: 80 Sec. Recommended
 Standard Length: 6/12M

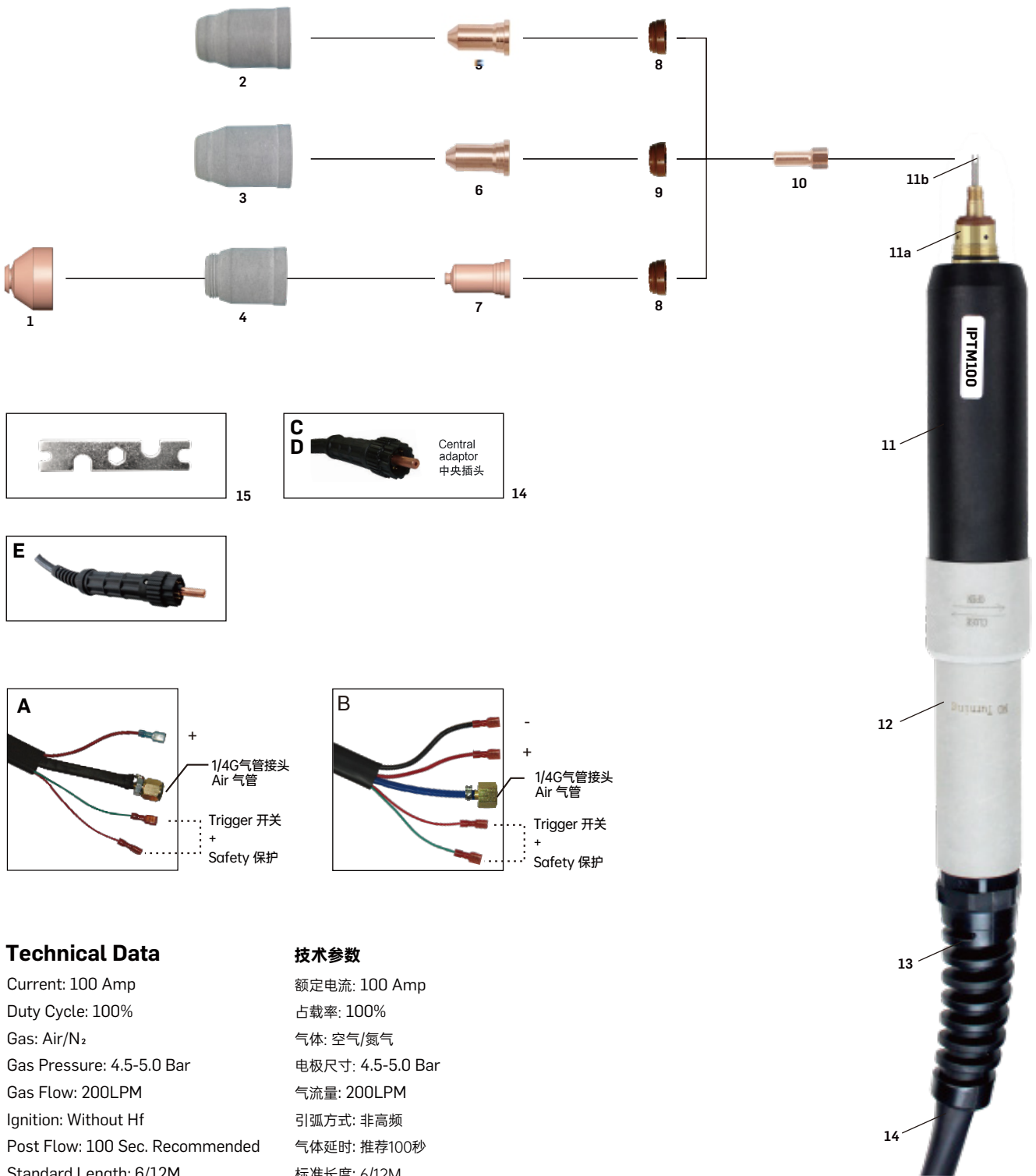
技术参数

额定电流: 80 Amp
 占载率: 100%
 气体: 空气/氮气
 电极尺寸: 4.4-5.0 Bar
 气流量: 120-130LPM
 引弧方式: 非高频
 气体延时: 推荐80秒
 标准长度: 6/12M

Complete Torch

| | Code | Ref. | Description |
|---|-----------|------|--|
| A | IJWU13092 | | Plasma machine torch ipxm82/6m/ 1/4g /integrated/2 wires;等离子自动切割枪/ipxm82/6m/ 1/4g /气电一体/2芯 |
| A | IJWU14092 | | plasma machine torch ipxm82/12m/ 1/4g /integrated/2 wires;等离子自动切割枪/ipxm82/12m/ 1/4g /气电一体/2芯 |
| B | IJWU13093 | | plasma machine torch ipxm82/6m/ 1/4g /separation/2 wires;等离子自动切割枪/ipxm82/6m/ 1/4g /气电分体/2芯 |
| B | IJWU14093 | | plasma machine torch ipxm82/12m/ 1/4g /separation/2 wires;等离子自动切割枪/ipxm82/12m/ 1/4g /气电分体/2芯 |
| C | IJWU13094 | | plasma machine torch ipxm82/6m/central adaptor/2 wires;等离子自动切割枪/ipxm82/6m/中央插头/2芯 |
| C | IJWU14094 | | plasma machine torch ipxm82/12m/central adaptor/2 wires;等离子自动切割枪/ipxm82/12m/中央插头/2芯 |
| D | IJWU13095 | | plasma machine torch ipxm82/6m/central adaptor/coaxial cable;等离子自动切割枪/中央插头/同轴电缆 |
| D | IJWU14095 | | Plasma machine torch ipxm82/12m/central adaptor/coaxial cable;等离子自动切割枪/中央插头/同轴电缆 |

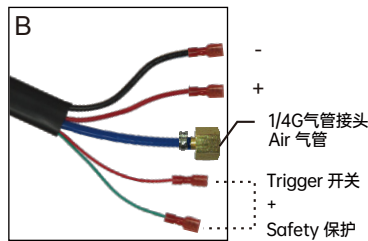
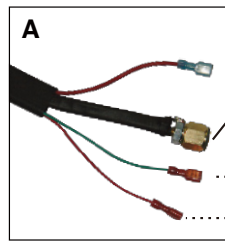
| Position | Code | Ref. | Description |
|--|-----------------|----------|---|
| (带"●"为标准配置 / With "●" is the standard configuration) | | | |
| 1 | IJTN0663 | | Shield cap/ipx82/machine;保护帽/ipx82/自动 |
| 2 | IJTN0660 | | Shield cap/ipx82/gouging;保护帽/ipx82/气刨 |
| 3 | IJTN0669 | | Shield cap/ipx62/ipx82;保护帽/ipx62/ipx82 |
| 4● | IJWT0693-05 | | Outside nozzle ipx82/gray glass fiber;外喷嘴 ipx82/灰色玻纤 |
| 5 | | | Tip;喷嘴 |
| 5.1 | IJWV0701-09 | | Tip φ0.9mm/40a/ipx82;电极喷嘴 φ0.9mm/40a/ipx82 |
| 5.2 | IJWV0701-10 | | Tip φ1.0mm/50a/ipx82;电极喷嘴 φ1.0mm/50a/ipx82 |
| 5.3 | IJWV0701-11 | | Tip φ1.1mm/60a/ipx82;电极喷嘴 φ1.1mm/60a/ipx82 |
| 5.4 | IJWV0701-12 | | Tip φ1.2mm/70a/ipx82;电极喷嘴 φ1.2mm/70a/ipx82 |
| 5.5● | IJWV0701-13 | | Tip φ1.3mm/80a/ipx82;电极喷嘴 φ1.3mm/80a/ipx82 |
| 6 | IJWV0704 | | Tip 30a-80a/ipx82/gouging;电极喷嘴 30a-80a/ipx82/气刨 |
| 7● | IJWG0061 | | Diffuser ipx82;分流器ipx82 |
| 8 | IJWC1670 | 52558 | Electrode ipt80/ipx82;等离子电极 ipt80/ipx82 |
| 9 | IJWA0632 | | Torch head iptm80/ipxm82;等离子枪头 iptm80/ipxm82 |
| 9a | IJGU0710 | 69800.42 | "O"ring φ15xφ18 ipt80 red sil;"o"型圈 φ15xφ18 ipt80 红色硅胶 |
| 9b | IJAO0784 | 51620.60 | Air tube/ipt80/ipx82;导流管ipt80/ipx82 |
| 10 | IJIK0121 | | Plasma machine handle kit;等离子自动枪手柄组件/自制 |
| 11 | | | Spring support;弹簧支撑 |
| 11.1 | IJIK0800 | | Spring support/pg21/plasma/coaxial cable;弹簧支撑/pg21/plasma/同轴 |
| 11.2 | IJIK0800-02 | | Spring support/pg21/plasma/epdm;弹簧支撑/pg21/plasma/epdm |
| 12 | | | Cable assembly;电缆组 |
| 12.1 | IJWO11210074-22 | | Cable assembly/ipxm82/6m/ 1/4g /2 wires/integrated;电缆组/ipxm82/6m/ 1/4g /2芯/气电一体 |
| 12.2 | IJWO11210134-22 | | Cable assembly/ipxm82/12m/ 1/4g /2 wires/integrated;电缆组/ipxm82/12m/ 1/4g /2芯/气电一体 |
| 12.3 | IJWO11210072-22 | | Cable assembly/ipxm82/6m/ 1/4g /2 wires/separation;电缆组/ipxm82/6m/ 1/4g /2芯/气电分体 |
| 12.4 | IJWO11210132-22 | | Cable assembly/ipxm82/12m/ 1/4g /2 wires/separation;电缆组/ipxm82/12m/ 1/4g /2芯/气电分体 |
| 12.5 | IJWO11210071-22 | | Cable assembly/ipxm82/6m/2 wires/centre adaptor;电缆组/ipxm82/6m/2芯/中央插头 |
| 12.6 | IJWO11210131-22 | | Cable assembly/ipxm82/12m/2 wires/centre adaptor;电缆组/ipxm82/12m/2芯/中央插头 |
| 12.7 | IJWO1121117C-22 | | Cable assembly/ipxm82/6m/central adaptor/coaxial cable;电缆组/ipxm82/12m/中央插头/同轴电缆 |
| 12.8 | IJWO1121123C-22 | | Cable assembly/ipxm82/12m/central adaptor/coaxial cable;电缆组/ipxm82/12m/中央插头/同轴电缆 |
| 13 | IJDH6017 | | Spanner for plasma;plasma枪扳手 |
| 14 | IJAY0089 | | Central adaptor torch side plasma 5 pins;等离子中央插头/5针 |



15



14



Technical Data

Current: 100 Amp
 Duty Cycle: 100%
 Gas: Air/N₂
 Gas Pressure: 4.5-5.0 Bar
 Gas Flow: 200LPM
 Ignition: Without Hf
 Post Flow: 100 Sec. Recommended
 Standard Length: 6/12M

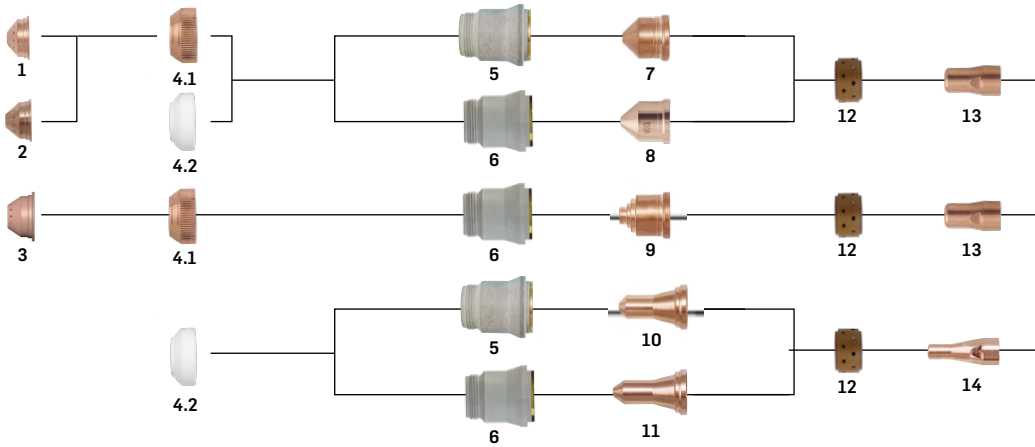
技术参数

额定电流: 100 Amp
 占载率: 100%
 气体: 空气/氮气
 电极尺寸: 4.5-5.0 Bar
 气流量: 200LPM
 引弧方式: 非高频
 气体延时: 推荐100秒
 标准长度: 6/12M

Complete Torch

| | Code | Ref. | Description |
|---|--------------|------|--|
| A | IJWU13072-00 | | Plasma machine torch iptm100/6m/ 1/4g /integrated/2 wires/back striking;等离子自动切割枪/iptm100/6m/ 1/4g /气电一体/2芯/后引弧 |
| A | IJWU14072-00 | | Plasma machine torch iptm100/12m/ 1/4g /integrated/2 wires/back striking;等离子自动切割枪/iptm100/12m/ 1/4g /气电一体/2芯/后引弧 |
| B | IJWU13073-00 | | Plasma machine torch iptm100/6m/ 1/4g /separation/2 wires/back striking;等离子自动切割枪/iptm100/6m/ 1/4g /气电分体/2芯/后引弧 |
| B | IJWU14073-00 | | Plasma machine torch iptm100/12m/ 1/4g /separation/2 wires/back striking;等离子自动切割枪/iptm100/12m/ 1/4g /气电分体/2芯/后引弧 |
| C | IJWU13074-00 | | Plasma machine torch iptm100/6m/central adaptor/2 wires/back striking;等离子自动切割枪/iptm100/6m/中央插头/2芯/后引弧 |
| C | IJWU14074-00 | | Plasma machine torch iptm100/12m/central adaptor/2 wires/back striking;等离子自动切割枪/iptm100/12m/中央插头/2芯/后引弧 |
| D | IJWU13075-00 | | Plasma machine torch iptm100/6m/central adaptor/coaxial cable/back striking;等离子自动切割枪/iptm100/6m/中央插头/同轴电缆/后引弧 |
| D | IJWU14075-00 | | Plasma machine torch iptm100/12m/central adaptor/coaxial cable/back striking;等离子自动切割枪/iptm100/12m/中央插头/同轴电缆/后引弧 |

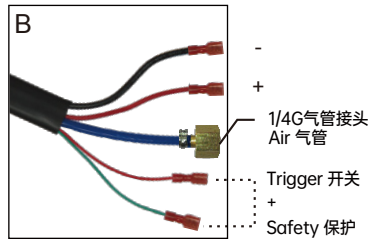
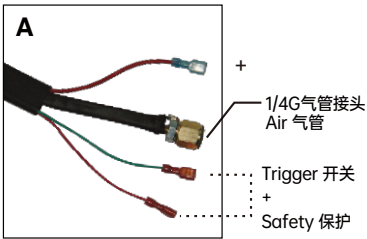
| Position | Code | Ref. | Description |
|--|-----------------|-----------|---|
| (带"●"为标准配置 / With "●" is the standard configuration) | | | |
| 1 | IJTN1075 | 60508 | Shield cap/gouging;隔离保护帽/气刨 |
| 2 | IJWT1689-05 | 60500 | Outside ipt100/30-70a/gray glass fiber;外喷嘴/ipt100/30-70a/灰色玻纤 |
| 3 | IJWT1687-05 | 60501 | Outside nozzle ipt100/80-120a/gray glass fiber;外喷嘴 ipt100/80-120a/灰色玻纤 |
| 4 | IJWT1685-05 | 60502 | Outside nozzle ipt100/contact cut and gouging;外喷嘴/ipt100/接触切割和气刨 |
| 5 | | | Tip;电极喷嘴 |
| 5.1 | IJWV1689-10 | 51246.10 | Tip φ1.0mm/40-50a/ ipt100/back striking;电极喷嘴 φ1.0mm/40-50a/ipt100/后引弧 |
| 5.2 | IJWV1689-11 | 51246.11 | Tip φ1.1mm/50-60a/ ipt100/back striking;电极喷嘴 φ1.1mm/50-60a/ipt100/后引弧 |
| 5.3 | IJWV1689-12 | 51246.12 | Tip φ1.2mm/60-70a/ ipt100/back striking;电极喷嘴 φ1.2mm/60-70a/ipt100/后引弧 |
| 6 | | | Tip;喷嘴 |
| 6.1 | IJWV1687-14 | 51248.14 | Tip φ1.4mm/80-90a/ ipt100/back striking;电极喷嘴 φ1.4mm/80-90a/ipt100/后引弧 |
| 6.2 | IJWV1687-15 | 51248.15 | Tip φ1.5mm/100-110a/ ipt100/back striking;电极喷嘴 φ1.5mm/100-110a/ipt100/后引弧 |
| 6.3 | IJWV1687-16 | 51248.16 | Tip φ1.6mm/110-120a/ ipt100/back striking;电极喷嘴 φ1.6mm/110-120a/ipt100/后引弧 |
| 7 | IJWV1698-22 | 51278G.22 | Tip gouging ipt100/120a/gouging/back striking;喷嘴/ipt100/120a/气刨/后引弧 |
| 8 | IJWG1673 | 60025 | Diffuser ipt100/30-70a;分流器 ipt100/30-70a |
| 9 | IJWG1672 | 60026 | Diffuser ipt100/80-120a and gouging;分流器 ipt100/80-120a以及气刨 |
| 10 | IJWC1687 | 52556 | Electrode plasma ipt100;等离子电极 ipt100 |
| 11 | IJWA0641 | | Ipxm100 torch head;等离子自动枪头 iptm100 |
| 11a | IJGU0716 | 51190.41 | "O"ring φ18x21mm ipt100;o型圈 φ18x21mm/ipt100/ |
| 11b | IJAO0785 | 09700.48 | Air tube ipt100;导流管/ipt100 |
| 12 | IJK0121 | | Plasma machine handle kit;等离子自动枪手柄组件/自制 |
| 13 | | | Spring support;弹簧支撑 |
| 13.1 | IJK0800 | | Spring support/pg21/plasma/coaxial cable;弹簧支撑/pg21/plasma/同轴 |
| 13.2 | IJK0800-02 | | Spring support/pg21/plasma/epdm;弹簧支撑/pg21/plasma/epdm |
| 14 | | | Cable assembly;电缆组 |
| 14.1 | IJWO11210074-22 | | Cable assembly/iptm100/6m/ 1/4g /2 wires/integrated;电缆组/iptm100/6m/ 1/4g /2芯/气电一体 |
| 14.2 | IJWO11210134-22 | | Cable assembly/iptm100/12m/ 1/4g /2 wires/integrated;电缆组/iptm100/12m/ 1/4g /2芯/气电一体 |
| 14.3 | IJWO11210072-22 | | Cable assembly/iptm100/6m/ 1/4g /2 wires/separation;电缆组/iptm100/6m/ 1/4g /2芯/气电分体 |
| 14.4 | IJWO11210132-22 | | Cable assembly/iptm100/12m/ 1/4g /2 wires/separation;电缆组/iptm100/12m/ 1/4g /2芯/气电分体 |
| 14.5 | IJWO11210071-22 | | Cable assembly/iptm100/6m/2 wires/centre adaptor;电缆组/iptm100/6m/2芯/中央插头 |
| 14.6 | IJWO11210131-22 | | Cable assembly/iptm100/12m/2 wires/centre adaptor;电缆组/iptm100/12m/2芯/中央插头 |
| 14.7 | IJWO1121117C-22 | | Cable assembly/iptm100/6m/central adaptor/coaxial cable;电缆组/iptm100/12m/中央插头/同轴电缆 |
| 14.8 | IJWO1121123C-22 | | Cable assembly/iptm100/12m/central adaptor/coaxial cable;电缆组/iptm100/12m/中央插头/同轴电缆 |
| 15 | IJDH6017 | | Spanner for plasma;plasma枪扳手 |
| 16 | IJAY0089 | | Central adaptor torch side plasma 5 pins;等离子中央插头/5针 |



15



14



Technical Data

Current: 120 Amp
 Duty Cycle: 100%
 Gas: Air/N₂
 Gas Pressure: 5.0 Bar
 Gas Flow: 200LPM
 Ignition: Without Hf
 Post Flow: 100 Sec. Recommended
 Standard Length: 6/12M

技术参数

额定电流: 120 Amp
 占载率: 100%
 气体: 空气/氮气
 电极尺寸: 5.0 Bar
 气流量: 200LPM
 引弧方式: 非高频
 气体延时: 推荐100秒
 标准长度: 6/12M

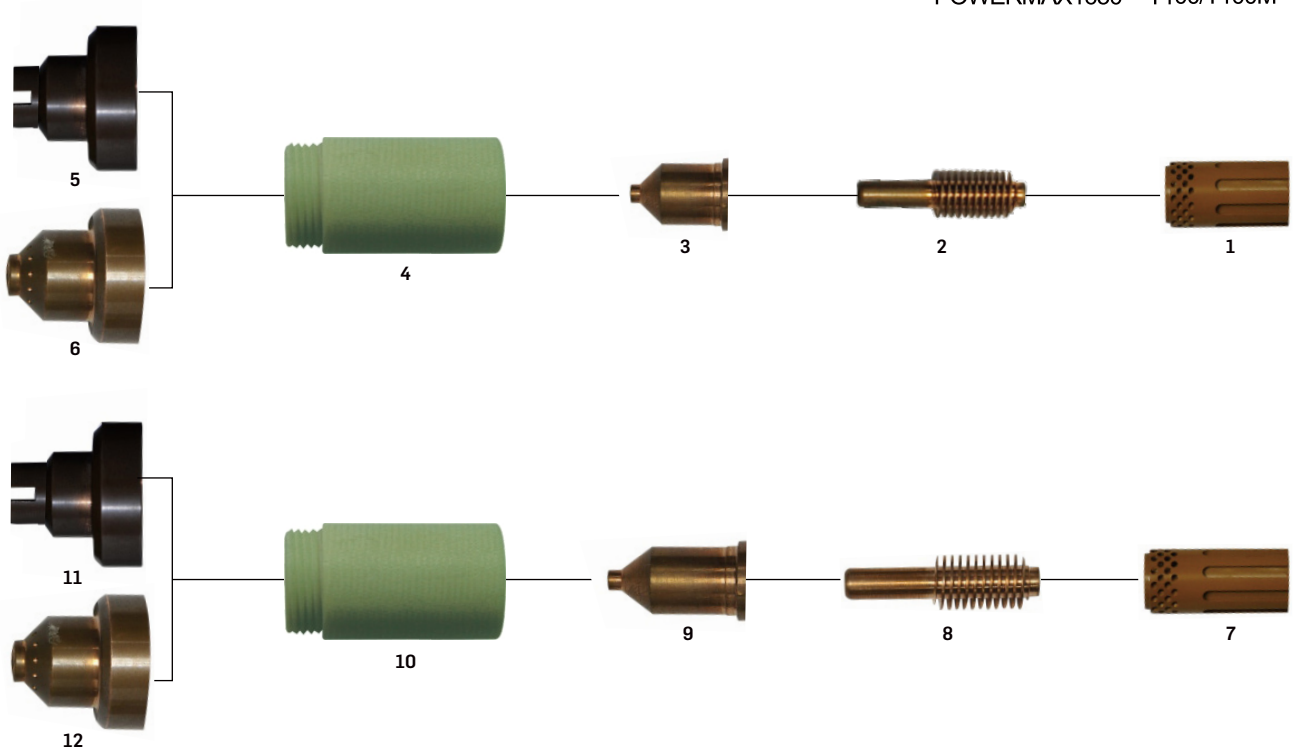
Complete Torch

| | Code | Ref. | Description |
|---|--------------|------|--|
| A | IJWU13002-00 | | Plasma Machine Torch Ipxm102/6m/ 1/4g /integrated/2 Wires;等离子自动切割枪/ipxm102/6m/ 1/4g /气电一体/2芯 |
| A | IJWU14002-00 | | Plasma Machine Torch Ipxm102/12m/ 1/4g /integrated/2 Wires;等离子自动切割枪/ipxm102/12m/ 1/4g /气电一体/2芯 |
| B | IJWU13003-00 | | Plasma Machine Torch Ipxm102/6m/ 1/4g /separation/2 Wires;等离子自动切割枪/ipxm102/6m/ 1/4g /气电分体/2芯 |
| B | IJWU14003-00 | | Plasma Machine Torch Ipxm102/12m/ 1/4g /separation/2 Wires;等离子自动切割枪/ipxm102/12m/ 1/4g /气电分体/2芯 |
| C | IJWU13004-00 | | Plasma Machine Torch Ipxm102/6m/central Adaptor/2 Wires;等离子自动切割枪/ipxm102/6m/中央插头/2芯 |
| C | IJWU14004-00 | | Plasma Machine Torch Ipxm102/12m/central Adaptor/2 Wires;等离子自动切割枪/ipxm102/12m/中央插头/2芯 |
| D | IJWU13005-00 | | Plasma Machine Torch Ipxm102/6m/central Adaptor/coaxial Cable;等离子自动切割枪/ipxm102/6m/中央插头/同轴电缆 |
| D | IJWU14005 | | Plasma Machine Torch Ipxm102/12m/central Adaptor/coaxial Cable;等离子自动切割枪/ipxm102/12m/中央插头/同轴电缆 |

| Position | Code | Ref. | Description |
|--|-----------------|------|---|
| (带"●"为标准配置 / With "●" is the standard configuration) | | | |
| 1 | IJTN0664 | | Shield cap/ipxm102/40-80a/machine;保护帽/ipxm102/自动枪/40-80a |
| 2● | IJTN0665 | | Shield cap/ipxm102/100-120a/machine;保护帽/ipxm102/自动枪/100-120a |
| 3 | IJTN0777 | | Shield cap/ipx102/gouging;保护帽/ipx102/气刨 |
| 4 | | | Shield cap;保护帽 |
| 4.1● | IJTN0666 | | Shield cap/ipx102;保护帽/ipx102 |
| 4.2 | IJTN0666-01 | | Shield cap/ipx102/alumina cup;保护帽/ipx102/陶瓷 |
| 5 | IJWT0645-05 | | Outside nozzle ipx102/6 holes/40-80a/gray glass fiber;外喷嘴 ipx102/6孔/40-80a/灰色玻纤 |
| 6● | IJWT0642-05 | | Outside nozzle ipx102/8 holes/100-120a/gray glass fiber;外喷嘴 ipx102/8孔/40-80a/灰色玻纤 |
| 7 | | | Tip;喷嘴 |
| 7.1 | IJVV0790-10 | | Tip ϕ 1.0mm/40-50a/ipx102;电极喷嘴 ϕ 1.0mm/40-50a/ipx102 |
| 7.2 | IJVV0790-11 | | Tip ϕ 1.1mm/50-60a/ipx102;电极喷嘴 ϕ 1.1mm/50-60a/ipx102 |
| 7.3 | IJVV0790-12 | | Tip ϕ 1.2mm/60-70a/ipx102;电极喷嘴 ϕ 1.2mm/60-70a/ipx102 |
| 7.4 | IJVV0790-14 | | Tip ϕ 1.4mm/80-90a/ipx102;电极喷嘴 ϕ 1.4mm/80-90a/ipx102 |
| 8● | | | Tip;喷嘴 |
| 8.1 | IJVV0702-16 | | Tip ϕ 1.6mm/100a/ipx102;电极喷嘴 ϕ 1.6mm/100a/ipx102 |
| 8.2 | IJVV0702-18 | | Tip ϕ 1.8mm/120a/ipx102;电极喷嘴 ϕ 1.8mm/120a/ipx102 |
| 9 | IJVV0768 | | Tip 40-120a/ipx102/gouging;电极喷嘴 40-120a/ipx102/气刨 |
| 10 | | | Tip;喷嘴 |
| 10.1 | IJVV0766-10 | | Extended tip ϕ 1.0mm/40-50a/ipx102;加长电极喷嘴 ϕ 1.0mm/40-50a/ipx102 |
| 10.2 | IJVV0766-11 | | Extended tip ϕ 1.1mm/50-60a/ipx102;加长电极喷嘴 ϕ 1.1mm/50-60a/ipx102 |
| 10.3 | IJVV0766-12 | | Extended tip ϕ 1.2mm/60-70a/ipx102;加长电极喷嘴 ϕ 1.2mm/60-70a/ipx102 |
| 10.4 | IJVV0766-14 | | Extended tip ϕ 1.4mm/80-90a/ipx102;加长电极喷嘴 ϕ 1.4mm/80-90a/ipx102 |
| 11 | IJVV0760-16 | | Extended tip ϕ 1.6mm/100a/ipx102;加长电极喷嘴 ϕ 1.6mm/100a/ipx102 |
| 12● | IJWG0062 | | Diffuser ipx102;分流器 ipx102 |
| 13● | IJWC0642 | | Electrode ipx102;电极 ipx102 |
| 14 | IJWC0648 | | Extended electrode ipx102;加长电极 ipx102 |
| 15 | IJWA0631 | | Ipxm102 torch head;等离子自动枪头 ipxm102 |
| 15a | IJGU8568 | | "O"ring ϕ 19.6 \times 16mm/ipx102/red sil;o型圈/ ϕ 19.6 \times 16mm/ipx102/红色硅胶 |
| 15b | IJAO0718 | | Air tube/ipx102;导流管/ipx102 |
| 16 | IJK0121 | | Plasma machine handle kit;等离子自动枪手柄组件/自制 |
| 17 | | | Spring support;弹簧支撑 |
| 17.1 | IJK0800 | | Spring support/pg21/plasma/coaxial cable;弹簧支撑/pg21/plasma/同轴 |
| 17.2 | IJK0800-02 | | Spring support/pg21/plasma/epdm;弹簧支撑/pg21/plasma/epdm |
| 18 | | | Cable assembly;电缆组 |
| 18.1 | IJWO11210074-22 | | Cable assembly/ipxm102/6m/ 1/4g /2 wires/integrated;电缆组/ipxm102/6m/ 1/4g /2芯/气电一体 |
| 18.2 | IJWO11210134-22 | | Cable assembly/ipxm102/12m/ 1/4g /2 wires/integrated;电缆组/ipxm102/12m/ 1/4g /2芯/气电一体 |
| 18.3 | IJWO11210072-22 | | Cable assembly/ipxm102/6m/ 1/4g /2 wires/separation;电缆组/ipxm102/6m/ 1/4g /2芯/气电分体 |
| 18.4 | IJWO11210132-22 | | Cable assembly/ipxm102/12m/ 1/4g /2 wires/separation;电缆组/ipxm102/12m/ 1/4g /2芯/气电分体 |
| 18.5 | IJWO11210071-22 | | Cable assembly/ipxm102/6m/2 wires/centre adaptor;电缆组/ipxm102/6m/2芯/中央插头 |
| 18.6 | IJWO11210131-22 | | Cable assembly/ipxm102/12m/2 wires/centre adaptor;电缆组/ipxm102/12m/2芯/中央插头 |
| 18.7 | IJWO1121117C-22 | | Cable assembly/ipxm102/6m/central adaptor/coaxial cable;电缆组/ipxm102/6m/中央插头/同轴电缆 |
| 18.8 | IJWO1121123C-22 | | Cable assembly/ipxm102/12m/central adaptor/coaxial cable;电缆组/ipxm102/12m/中央插头/同轴电缆 |
| 19 | IJDH6010 | | Spanner for p80;p80枪用扳手 |
| 20 | IJAY0089 | | Central adaptor torch side plasma 5 pins;等离子中央插头/5针 |

SPARE PARTS SUITABLE FOR HYPERTHERM® PRODUCTS

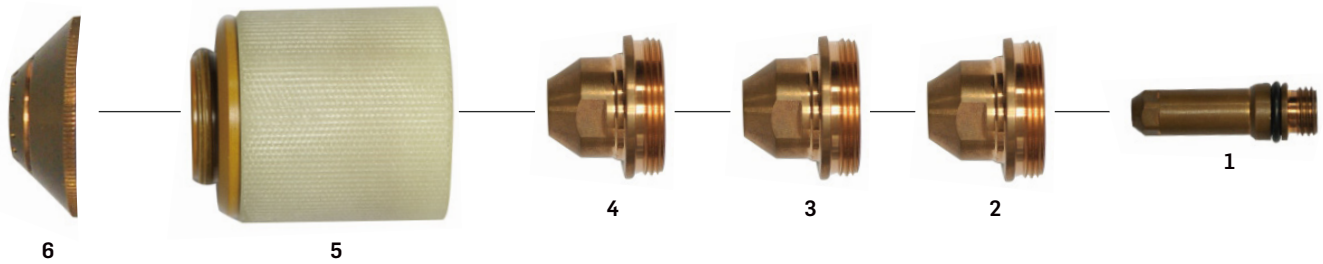
POWERMAX1000® T60/T60M® POWERMAX1100® RT80/RT80M®
 POWERMAX1250® T80/T80M® RT60/RT60M®
 POWERMAX1650® T100/T100M®



| Position | Code | Ref. | Description |
|----------|-------------|--------|---|
| 1 | IJWG0016 | 120925 | Diffuser powermax1000-1250;分流器/powermax1000-1250 |
| 2 | IJWC0012 | 120926 | Electrode 40-80a powermax1000-1250;电极/40-80a/powermax1000-1250 |
| 3 | | | Tip;喷嘴 |
| 3.1 | IJWV0010-10 | 120932 | Tip φ 1.0mm powermax1000-1250;喷嘴 φ 1.0mm powermax1000-1250 |
| 3.2 | IJWV0010-12 | 120931 | Tip φ 1.2mm powermax1000-1250;喷嘴 φ 1.2mm powermax1000-1250 |
| 3.3 | IJWV0010-14 | 120927 | Tip φ 1.4mm powermax1000-1250;喷嘴 φ 1.4mm powermax1000-1250 |
| 4 | IJWT0007 | 120928 | Retaining cap powermax1000-1250;外喷嘴/powermax1000-1250 |
| 5 | IJTN0028 | 120929 | Shield cap(hand) powermax1000-1250;保护帽(手工)/powermax1000-1250 |
| 6 | IJTN0029 | 120930 | Shield cap(machine) powermax1000-1250;保护帽(自动)/powermax1000-1250 |
| 7 | IJWG0012 | 220051 | Diffuser powermax1650;分流器/powermax1650 |
| 8 | IJWC0013 | 220037 | Electrode 100a powermax1650;电极/100a/powermax1650 |
| 9 | IJWV0016-15 | 220011 | Tip φ 1.5mm powermax1650;喷嘴 φ 1.5mm powermax1650 |
| 10 | IJWT0008 | 220048 | Retaining cap powermax1650;外喷嘴/powermax1650 |
| 11 | IJTN0034 | 220065 | Shield cap(hand) powermax1650;保护帽(手工)/powermax1650 |
| 12 | IJTN0035 | 220047 | Shield cap(machine) powermax1650;保护帽(自动)/powermax1650 |

SPARE PARTS SUITABLE FOR HYPERTHERM[®] PRODUCTS

MAX200[®]PAC200T/E[®] HT-2000[®]



| Position | Code | Ref. | Description |
|----------|-------------|--------|---|
| 1 | | | Electrode; 电极 |
| 1.1 | IJWC0680 | 120547 | Electrode O ₂ ,Air,100A W/O-ring(xf) Max200; 电极/O ₂ ,Air,100a W/O-ring(xf) Max200 |
| 1.2 | IJWC0686 | 120667 | Electrode O ₂ ,Air,200A W/O-ring(xf) Max200; 电极/O ₂ ,Air,200a W/O-ring(xf) Max200 |
| 1.3 | IJWC0682 | 020415 | Electrode AR ,H,200A W/O-ring(xf) Max200; 电极/AR ,H,200A W/O-ring(xf) Max200 |
| 2 | IJWV0037-09 | 020689 | Tip φ 0.9mm,(038) Max200/40A/Air; 喷嘴 φ 0.9mm,(038) Max200/40A/Air |
| 3 | | | Tip; 喷嘴 |
| 3.1 | IJWV0037-14 | 020616 | Tip φ 1.4mm,(055) Max200/100M/O ₂ ; 喷嘴 φ 1.4mm,(055) Max200/100M/O ₂ |
| 3.2 | IJWV0037-15 | 020611 | Tip φ 1.4mm,(059) Max200/100M/Air,N ₂ ,AR/H; 喷嘴 φ 1.4mm,(059) Max200/100M/Air,N ₂ ,AR/H |
| 4 | | | Tip; 喷嘴 |
| 4.1 | IJWV031 | 020615 | Nozzle gouging,Air 200A; 气刨喷嘴/Air 200A |
| 4.2 | IJWV0031-14 | 020690 | Tip φ 1.4mm,(055) Max200/100A/O ₂ ; 喷嘴 φ 1.4mm,(055) Max200/100A/O ₂ |
| 4.3 | IJWV0031-20 | 020605 | Tip φ 2.0mm,(082) Max200/100A/O ₂ ; 喷嘴 φ 2.0mm,(082)Max200/100A/O ₂ |
| 4.4 | IJWV0031-22 | 020608 | Tip φ 2.2mm,(086) Max200/100A/O ₂ ; 喷嘴 φ 2.2mm,(086) Max200/100A/O ₂ |
| 5 | IJWT0080 | 020423 | Outside nozzle Max200; 外喷嘴/max200 |
| 6 | | | Shield cap; 保护帽 |
| 6.1 | IJTN0048 | 020448 | Shield cap Max200/100A/Air,N ₂ ,AR/H; 保护帽/Max200/100a/air,N ₂ ,ar/h |
| 6.2 | IJTN0049 | 020424 | Shield cap Max200/200A/O ₂ ,Air,N ₂ ,AR/H; 保护帽/Max200/200A/O ₂ ,Air,N ₂ ,AR/h |

YOUR CHOICE

PLASMA

**PRODUCT
MANUAL**

**COMPANY INTRODUCTION
WITH HIGH FREQUENCY
WITHOUT HIGH FREQUENCY**

**YOUR PROFESSIONAL
WELDING SUPPLIER**

